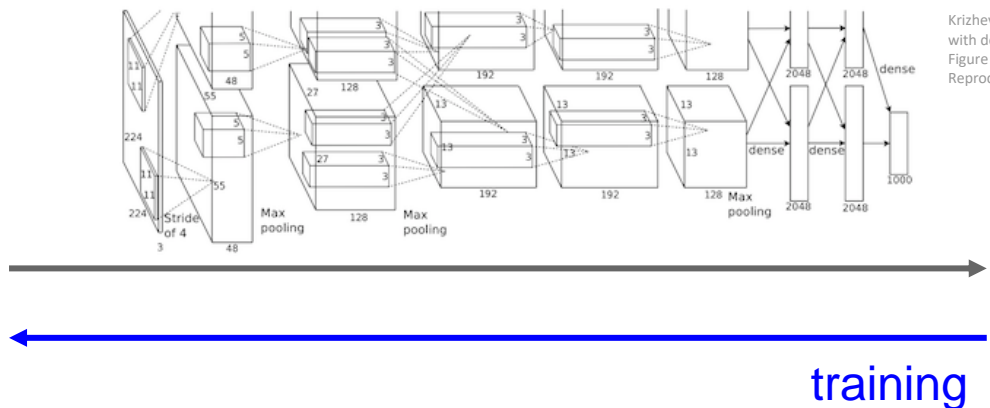
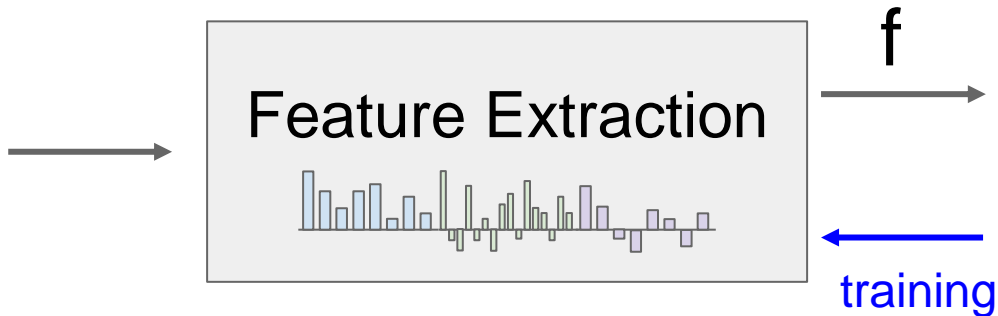


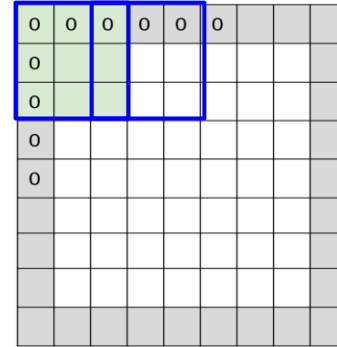
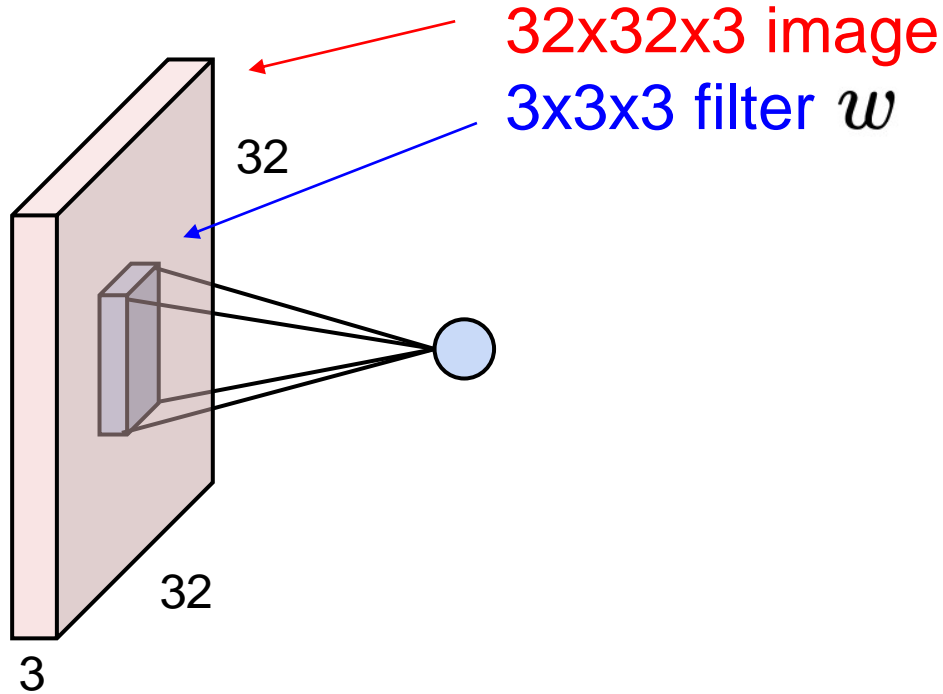
Lecture 6 (Part 1): CNN Architectures

Recap: Feature Extractors

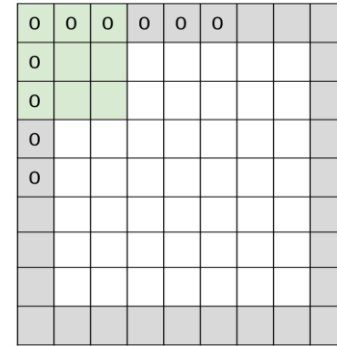


Krizhevsky, Sutskever, and Hinton, "Imagenet classification with deep convolutional neural networks", NIPS 2012. Figure copyright Krizhevsky, Sutskever, and Hinton, 2012. Reproduced with permission.

Recap: Convolution



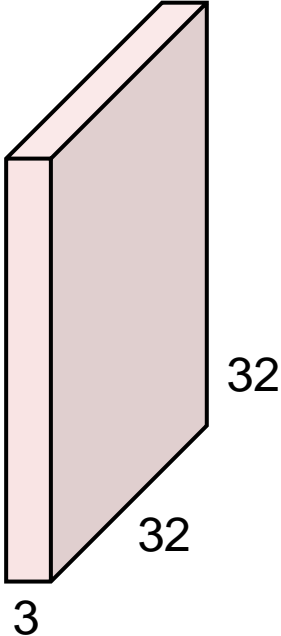
Stride:
Downsample
output activations



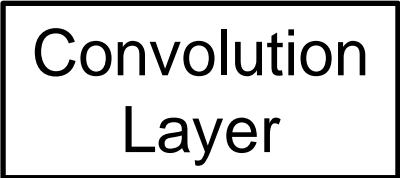
Padding:
Preserve
input spatial
dimensions in
output activations

Recap: Convolution Layer

3x32x32 image



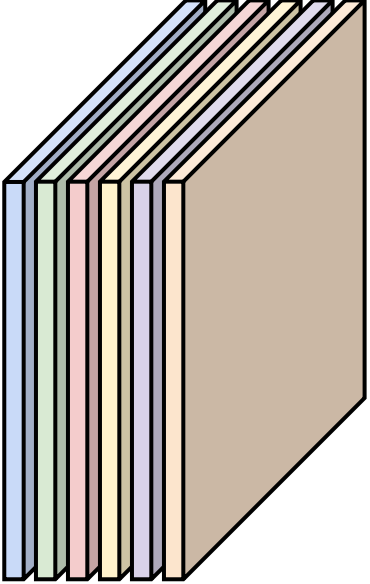
Consider 6 filters,
each 3x5x5



6x3x5x5
filters



6 activation maps,
each 1x28x28

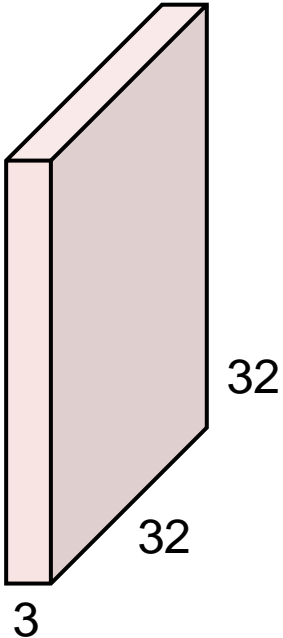


Stack activations to get a
6x28x28 output image!

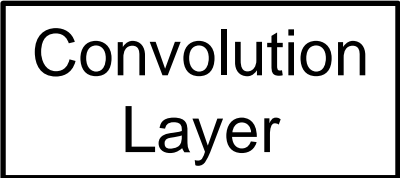
Slide inspiration: Justin Johnson

Recap: Convolution Layer

3x32x32 image



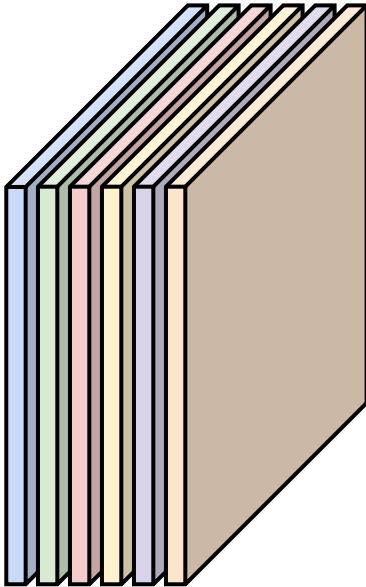
Don't forget bias terms!



6x3x5x5 filters



6 activation maps,
each 1x28x28

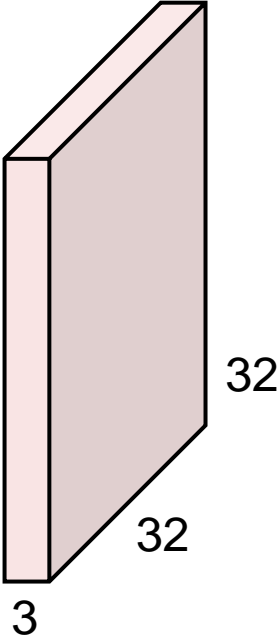


Stack activations to get a
6x28x28 output image!

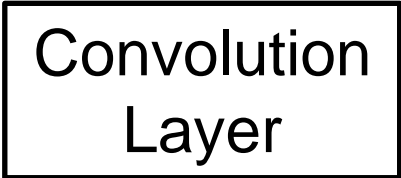
Slide inspiration: Justin Johnson

Recap: Convolution Layer

3x32x32 image



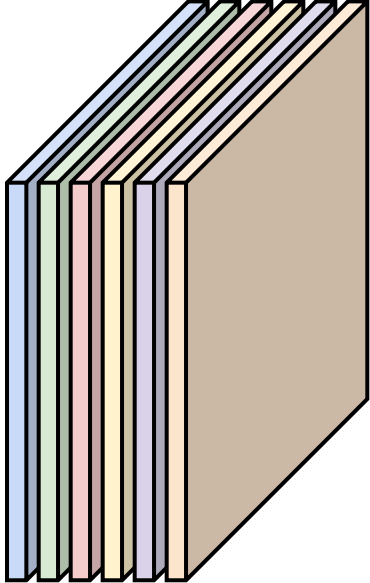
Don't forget bias terms!



6x3x5x5 filters



6 activation maps,
each 1x28x28



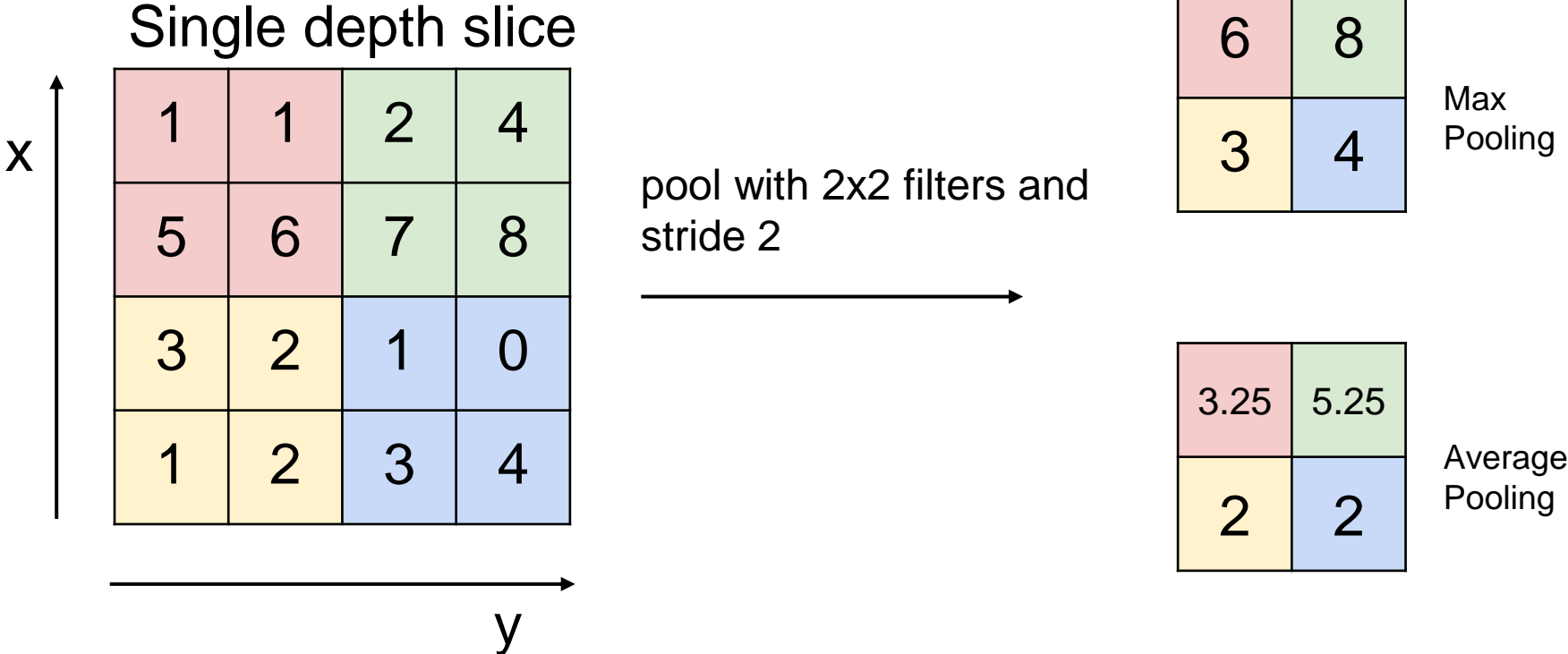
Activation Function!

(ReLU)

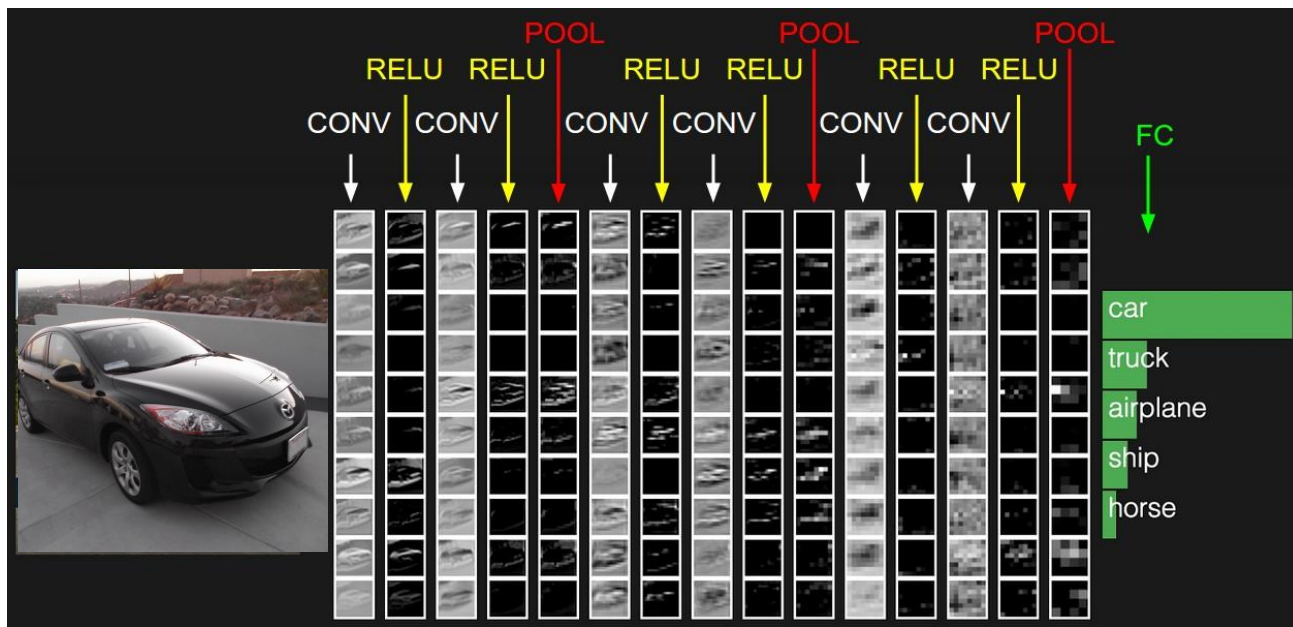
Stack activations to get a
6x28x28 output image!

Slide inspiration: Justin Johnson

Recap: Pooling Layer

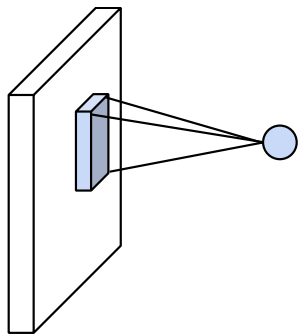


Recap: Putting it All Together

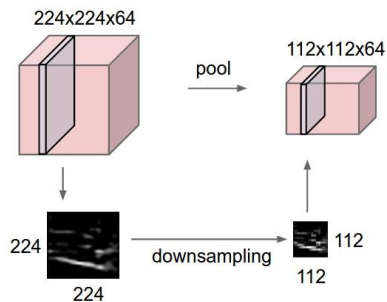


Components of CNNs

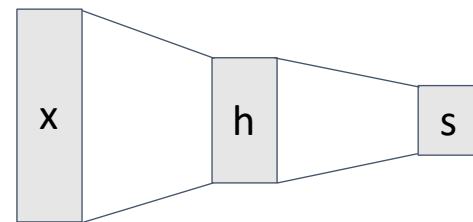
Convolution Layers



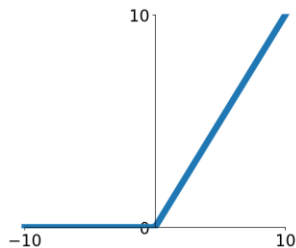
Pooling Layers



Fully-Connected Layers

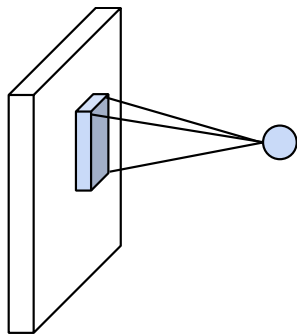


Activation Function

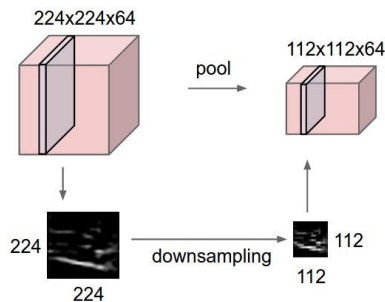


Components of CNNs

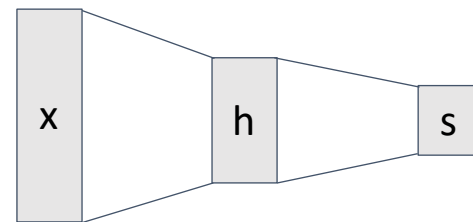
Convolution Layers



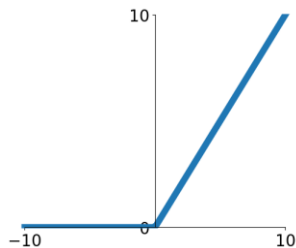
Pooling Layers



Fully-Connected Layers



Activation Function



Normalization

$$\hat{x}_{i,j} = \frac{x_{i,j} - \mu_j}{\sqrt{\sigma_j^2 + \epsilon}}$$

Batch Normalization

Consider a single layer $y = Wx$

The following could lead to tough optimization:

- Inputs x are not *centered around zero* (need large bias)
- Inputs x have different scaling per-element (entries in W will need to vary a lot)

Idea: force inputs to be “nicely scaled” at each layer!

Batch Normalization

[Ioffe and Szegedy, 2015]

“you want zero-mean unit-variance activations? just make them so.”

consider a batch of activations at some layer. To make each dimension zero-mean unit-variance, apply:

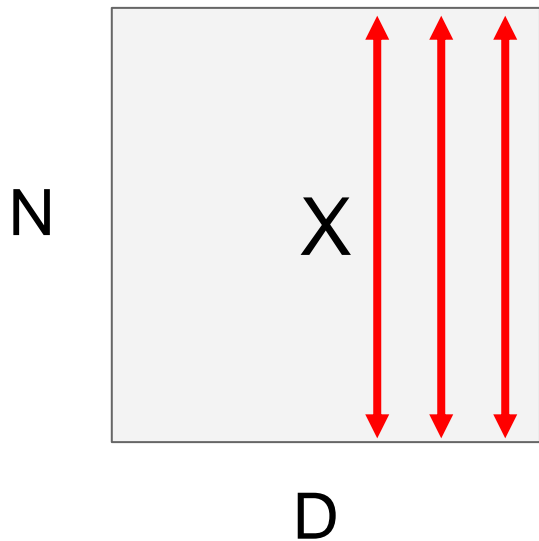
$$\hat{x}^{(k)} = \frac{x^{(k)} - \mathbb{E}[x^{(k)}]}{\sqrt{\text{Var}[x^{(k)}]}}$$

this is a vanilla
differentiable function...

Batch Normalization

[Ioffe and Szegedy, 2015]

Input: $x : N \times D$



$$\mu_j = \frac{1}{N} \sum_{i=1}^N x_{i,j}$$

Per-channel mean,
shape is D

$$\sigma_j^2 = \frac{1}{N} \sum_{i=1}^N (x_{i,j} - \mu_j)^2$$

Per-channel var,
shape is D

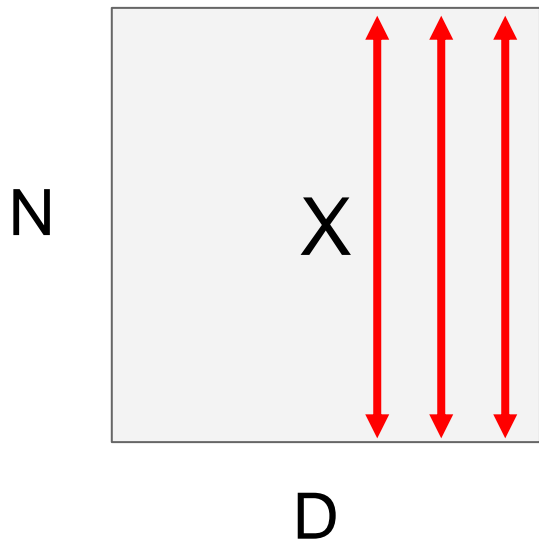
$$\hat{x}_{i,j} = \frac{x_{i,j} - \mu_j}{\sqrt{\sigma_j^2 + \epsilon}}$$

Normalized x,
Shape is N x D

Batch Normalization

[Ioffe and Szegedy, 2015]

Input: $x : N \times D$



$$\mu_j = \frac{1}{N} \sum_{i=1}^N x_{i,j}$$

Per-channel mean,
shape is D

$$\sigma_j^2 = \frac{1}{N} \sum_{i=1}^N (x_{i,j} - \mu_j)^2$$

Per-channel var,
shape is D

$$\hat{x}_{i,j} = \frac{x_{i,j} - \mu_j}{\sqrt{\sigma_j^2 + \epsilon}}$$

Normalized x,
Shape is N x D

Problem: What if zero-mean, unit variance is too hard of a constraint?

Batch Normalization

[Ioffe and Szegedy, 2015]

Input: $x : N \times D$

Learnable scale and shift parameters:

$$\gamma, \beta : D$$

Learning $\gamma = \sigma$,
 $\beta = \mu$ will recover the
identity function!

$$\mu_j = \frac{1}{N} \sum_{i=1}^N x_{i,j}$$

Per-channel mean,
shape is D

$$\sigma_j^2 = \frac{1}{N} \sum_{i=1}^N (x_{i,j} - \mu_j)^2$$

Per-channel var,
shape is D

$$\hat{x}_{i,j} = \frac{x_{i,j} - \mu_j}{\sqrt{\sigma_j^2 + \epsilon}}$$

Normalized x,
Shape is N x D

$$y_{i,j} = \gamma_j \hat{x}_{i,j} + \beta_j$$

Output,
Shape is N x D

Batch Normalization: Test-Time

Estimates depend on minibatch;
can't do this at test-time!

Input: $x : N \times D$

Learnable scale and shift parameters:

$$\gamma, \beta : D$$

Learning $\gamma = \sigma$,
 $\beta = \mu$ will recover the
identity function!

$$\mu_j = \frac{1}{N} \sum_{i=1}^N x_{i,j} \quad \text{Per-channel mean, shape is D}$$
$$\sigma_j^2 = \frac{1}{N} \sum_{i=1}^N (x_{i,j} - \mu_j)^2 \quad \text{Per-channel var, shape is D}$$

$$\hat{x}_{i,j} = \frac{x_{i,j} - \mu_j}{\sqrt{\sigma_j^2 + \epsilon}} \quad \text{Normalized x, Shape is N x D}$$

$$y_{i,j} = \gamma_j \hat{x}_{i,j} + \beta_j \quad \text{Output, Shape is N x D}$$

Batch Normalization: Test-Time

Input: $x : N \times D$

$$\mu_j = \text{(Running) average of values seen during training}$$

Per-channel mean,
shape is D

Learnable scale and shift parameters:

$$\gamma, \beta : D$$

$$\sigma_j^2 = \text{(Running) average of values seen during training}$$

Per-channel var,
shape is D

During testing batchnorm becomes a linear operator!

Can be fused with the previous fully-connected or conv layer

$$\hat{x}_{i,j} = \frac{x_{i,j} - \mu_j}{\sqrt{\sigma_j^2 + \epsilon}}$$

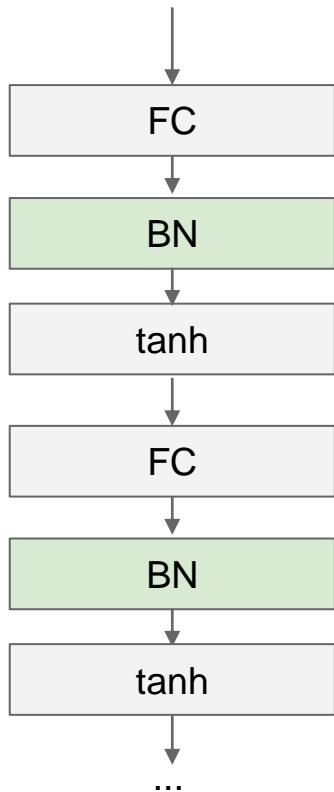
Normalized x,
Shape is N x D

$$y_{i,j} = \gamma_j \hat{x}_{i,j} + \beta_j$$

Output,
Shape is N x D

Batch Normalization

[Ioffe and Szegedy, 2015]

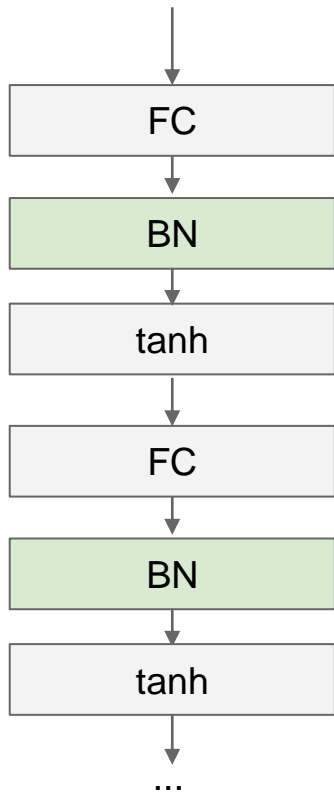


Usually inserted after Fully Connected or Convolutional layers, and before nonlinearity.

$$\hat{x}^{(k)} = \frac{x^{(k)} - \mathbb{E}[x^{(k)}]}{\sqrt{\text{Var}[x^{(k)}]}}$$

Batch Normalization

[Ioffe and Szegedy, 2015]



- Makes deep networks **much** easier to train!
- Improves gradient flow
- Allows higher learning rates, faster convergence
- Networks become more robust to initialization
- Acts as a kind of regularization during training
- Behaves differently during training and testing: this is a very common source of bugs!

Batch Normalization for ConvNets

Batch Normalization for
fully-connected networks

$$\mathbf{x}: \mathbf{N} \times \mathbf{D}$$

Normalize



$$\boldsymbol{\mu}, \boldsymbol{\sigma}: \mathbf{1} \times \mathbf{D}$$

$$\boldsymbol{\gamma}, \boldsymbol{\beta}: \mathbf{1} \times \mathbf{D}$$

$$\mathbf{y} = \boldsymbol{\gamma} (\mathbf{x} - \boldsymbol{\mu}) / \boldsymbol{\sigma} + \boldsymbol{\beta}$$

Batch Normalization for
convolutional networks
(Spatial Batchnorm, BatchNorm2D)

$$\mathbf{x}: \mathbf{N} \times \mathbf{C} \times \mathbf{H} \times \mathbf{W}$$

Normalize



$$\boldsymbol{\mu}, \boldsymbol{\sigma}: \mathbf{1} \times \mathbf{C} \times \mathbf{1} \times \mathbf{1}$$

$$\boldsymbol{\gamma}, \boldsymbol{\beta}: \mathbf{1} \times \mathbf{C} \times \mathbf{1} \times \mathbf{1}$$

$$\mathbf{y} = \boldsymbol{\gamma} (\mathbf{x} - \boldsymbol{\mu}) / \boldsymbol{\sigma} + \boldsymbol{\beta}$$

Layer Normalization

Batch Normalization for fully-connected networks

$$\mathbf{x} : \mathbf{N} \times \mathbf{D}$$

Normalize



$$\boldsymbol{\mu}, \boldsymbol{\sigma} : \mathbf{1} \times \mathbf{D}$$

$$\boldsymbol{\gamma}, \boldsymbol{\beta} : \mathbf{1} \times \mathbf{D}$$

$$\mathbf{y} = \boldsymbol{\gamma} (\mathbf{x} - \boldsymbol{\mu}) / \boldsymbol{\sigma} + \boldsymbol{\beta}$$

Layer Normalization for fully-connected networks

Same behavior at train and test!

Can be used in recurrent networks

$$\mathbf{x} : \mathbf{N} \times \mathbf{D}$$

Normalize



$$\boldsymbol{\mu}, \boldsymbol{\sigma} : \mathbf{N} \times \mathbf{1}$$

$$\boldsymbol{\gamma}, \boldsymbol{\beta} : \mathbf{1} \times \mathbf{D}$$

$$\mathbf{y} = \boldsymbol{\gamma} (\mathbf{x} - \boldsymbol{\mu}) / \boldsymbol{\sigma} + \boldsymbol{\beta}$$

Ba, Kiros, and Hinton, "Layer Normalization", arXiv 2016

Instance Normalization

Batch Normalization for
convolutional networks

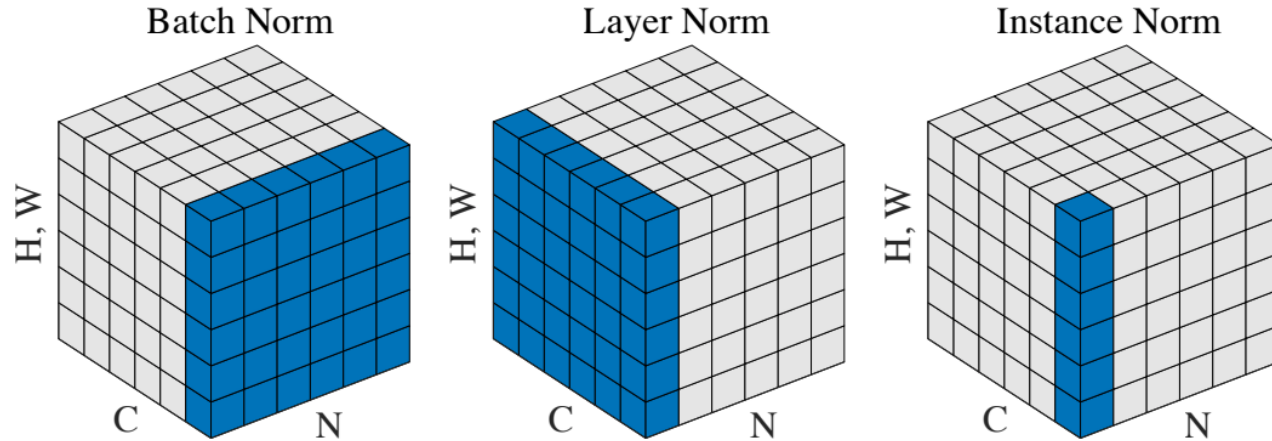
$$\begin{array}{l} \mathbf{x} : \mathbf{N} \times \mathbf{C} \times \mathbf{H} \times \mathbf{W} \\ \text{Normalize} \quad \downarrow \quad \downarrow \quad \downarrow \\ \boldsymbol{\mu}, \boldsymbol{\sigma} : \mathbf{1} \times \mathbf{C} \times \mathbf{1} \times \mathbf{1} \\ \boldsymbol{\gamma}, \boldsymbol{\beta} : \mathbf{1} \times \mathbf{C} \times \mathbf{1} \times \mathbf{1} \\ \mathbf{y} = \boldsymbol{\gamma} (\mathbf{x} - \boldsymbol{\mu}) / \boldsymbol{\sigma} + \boldsymbol{\beta} \end{array}$$

Instance Normalization for
convolutional networks
Same behavior at train / test!

$$\begin{array}{l} \mathbf{x} : \mathbf{N} \times \mathbf{C} \times \mathbf{H} \times \mathbf{W} \\ \text{Normalize} \quad \quad \quad \downarrow \quad \downarrow \\ \boldsymbol{\mu}, \boldsymbol{\sigma} : \mathbf{N} \times \mathbf{C} \times \mathbf{1} \times \mathbf{1} \\ \boldsymbol{\gamma}, \boldsymbol{\beta} : \mathbf{1} \times \mathbf{C} \times \mathbf{1} \times \mathbf{1} \\ \mathbf{y} = \boldsymbol{\gamma} (\mathbf{x} - \boldsymbol{\mu}) / \boldsymbol{\sigma} + \boldsymbol{\beta} \end{array}$$

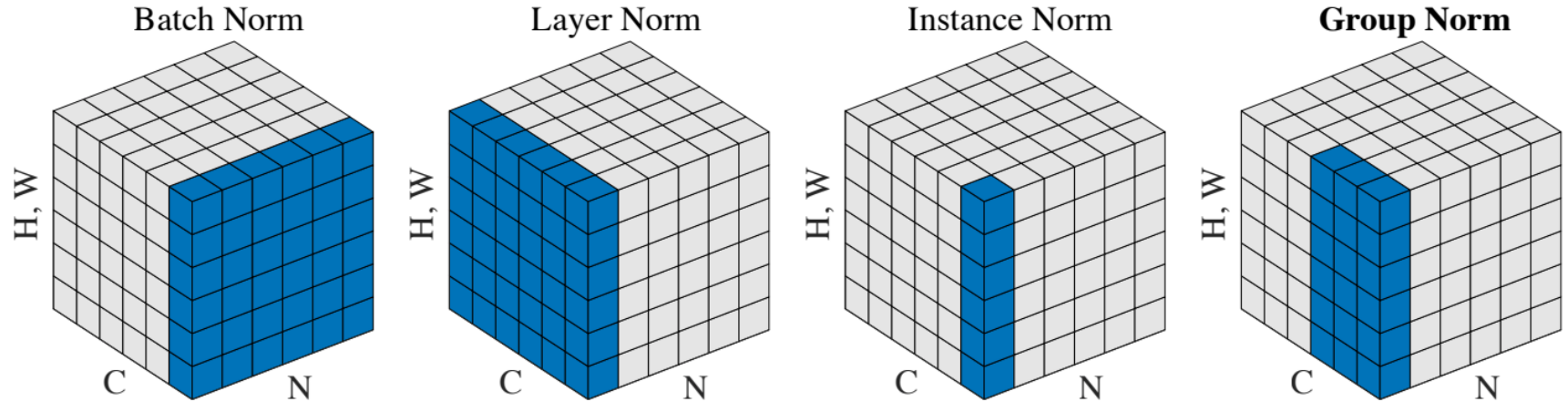
Ulyanov et al, Improved Texture Networks: Maximizing Quality and Diversity in Feed-forward Stylization and Texture Synthesis, CVPR 2017

Comparison of Normalization Layers



Wu and He, "Group Normalization", ECCV 2018

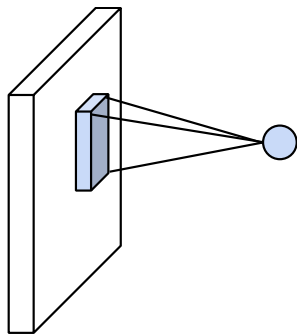
Group Normalization



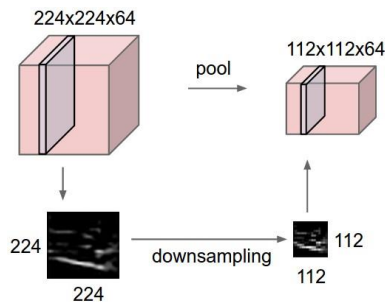
Wu and He, "Group Normalization", ECCV 2018

Components of CNNs

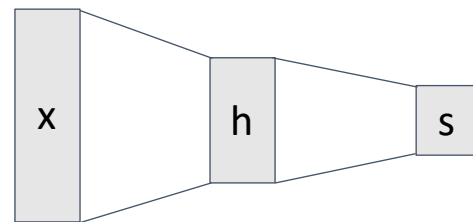
Convolution Layers



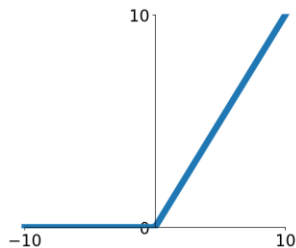
Pooling Layers



Fully-Connected Layers



Activation Function



Normalization

$$\hat{x}_{i,j} = \frac{x_{i,j} - \mu_j}{\sqrt{\sigma_j^2 + \epsilon}}$$

Question: How should we put them together?

Today: CNN Architectures

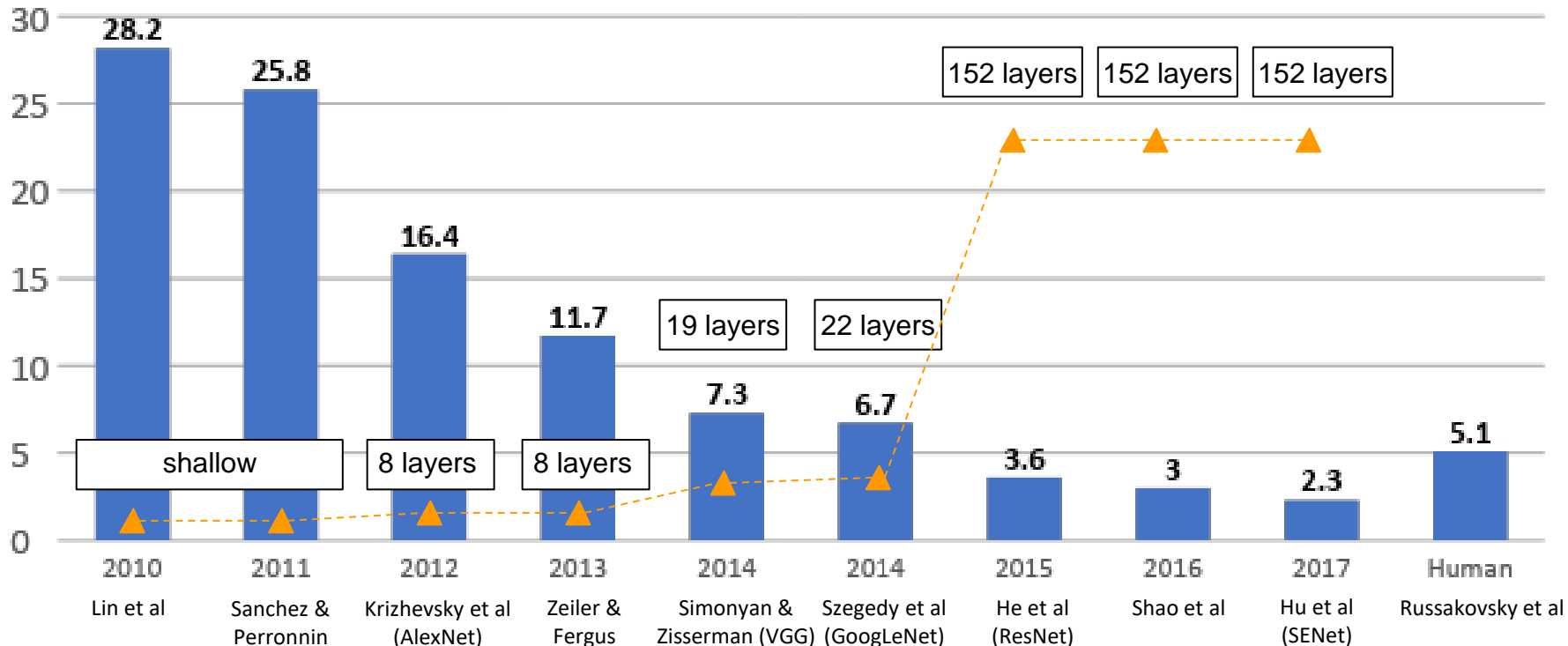
Case Studies

- AlexNet
- VGG
- ResNet

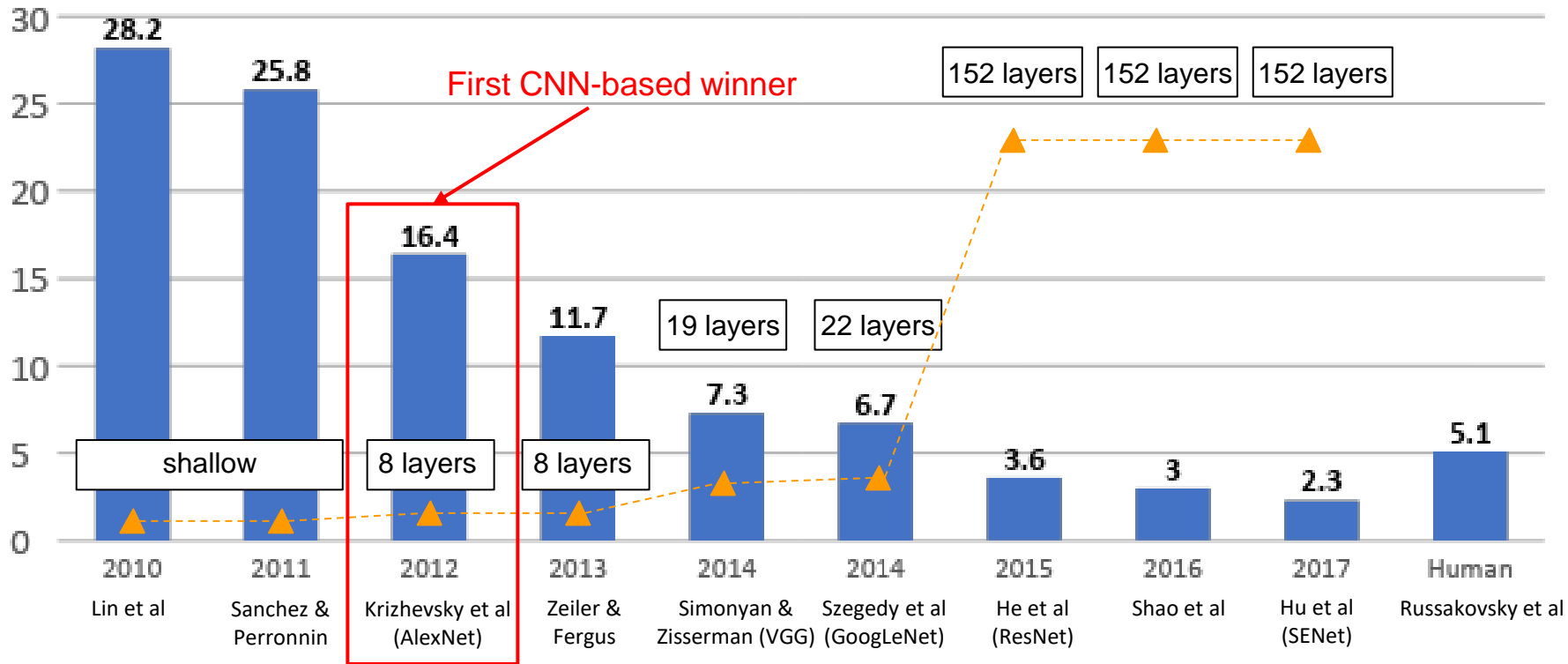
Also....

- GoogLeNet
- ZFNet
- SENet
- Wide ResNet
- ResNeXT
- DenseNet
- MobileNets
- NASNet
- EfficientNet

ImageNet Large Scale Visual Recognition Challenge (ILSVRC) winners



ImageNet Large Scale Visual Recognition Challenge (ILSVRC) winners



Case Study: AlexNet

[Krizhevsky et al. 2012]

Architecture:

CONV1

MAX POOL1

NORM1

CONV2

MAX POOL2

NORM2

CONV3

CONV4

CONV5

Max POOL3

FC6

FC7

FC8

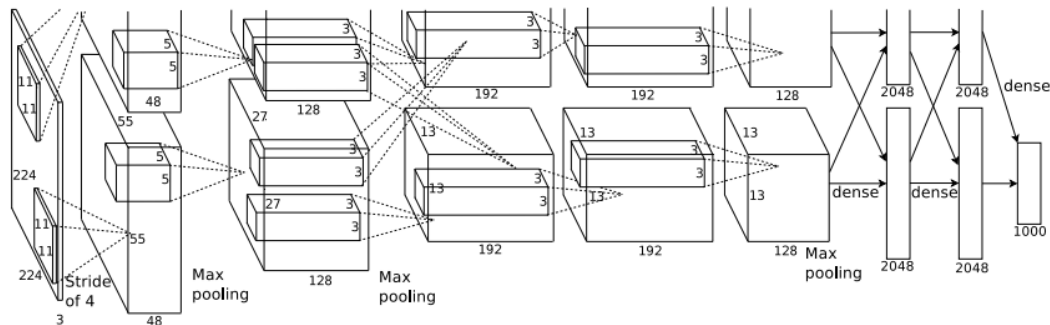
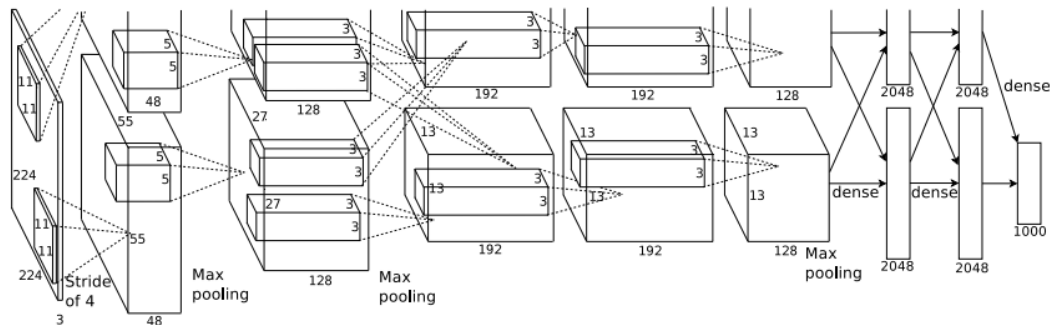


Figure copyright Alex Krizhevsky, Ilya Sutskever, and Geoffrey Hinton, 2012. Reproduced with permission.

Case Study: AlexNet

[Krizhevsky et al. 2012]



Input: 227x227x3 images

First layer (CONV1): 96 11x11 filters applied at stride 4

=>

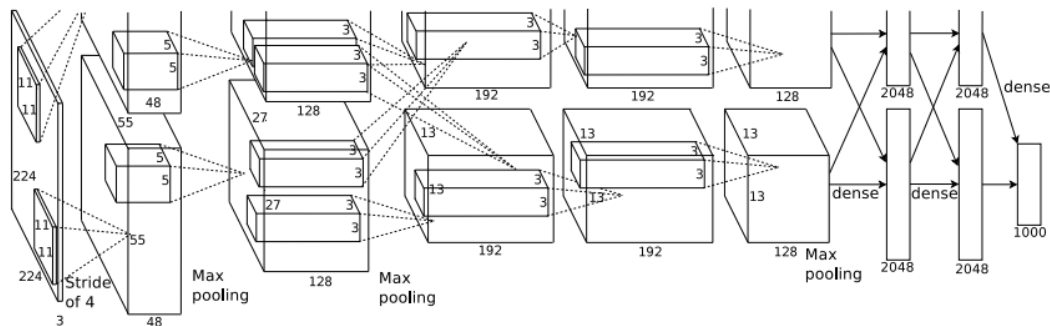
Q: what is the output volume size? Hint: $(227-11)/4+1 = 55$

$$W' = (W - F + 2P) / S + 1$$

Figure copyright Alex Krizhevsky, Ilya Sutskever, and Geoffrey Hinton, 2012. Reproduced with permission.

Case Study: AlexNet

[Krizhevsky et al. 2012]



Input: 227x227x3 images

First layer (CONV1): 96 11x11 filters applied at stride 4

=>

Output volume **[55x55x96]**

$$W' = (W - F + 2P) / S + 1$$

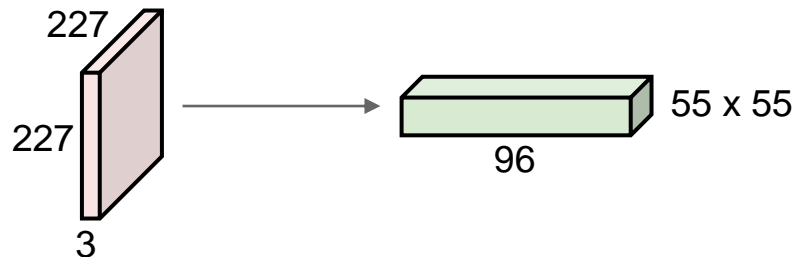
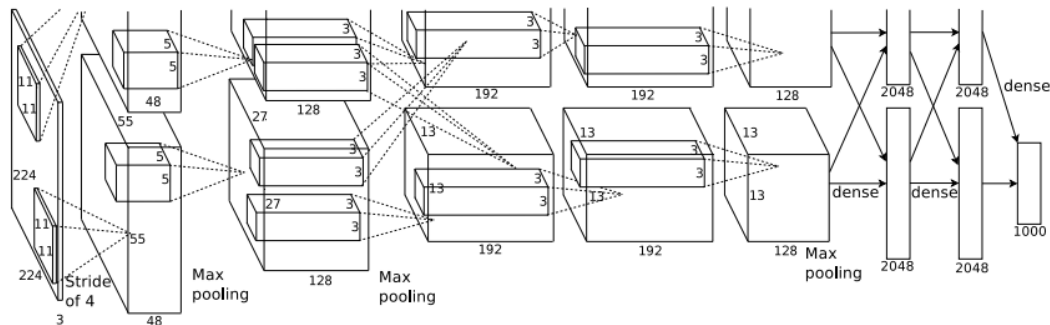


Figure copyright Alex Krizhevsky, Ilya Sutskever, and Geoffrey Hinton, 2012. Reproduced with permission.

Case Study: AlexNet

[Krizhevsky et al. 2012]



Input: 227x227x3 images

First layer (CONV1): 96 11x11 filters applied at stride 4

=>

Output volume **[55x55x96]**

Q: What is the total number of parameters in this layer?

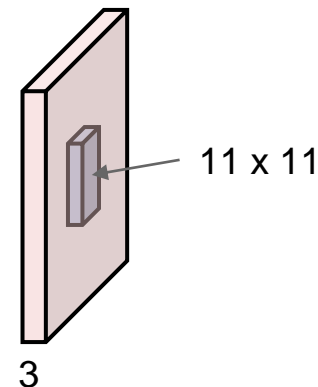
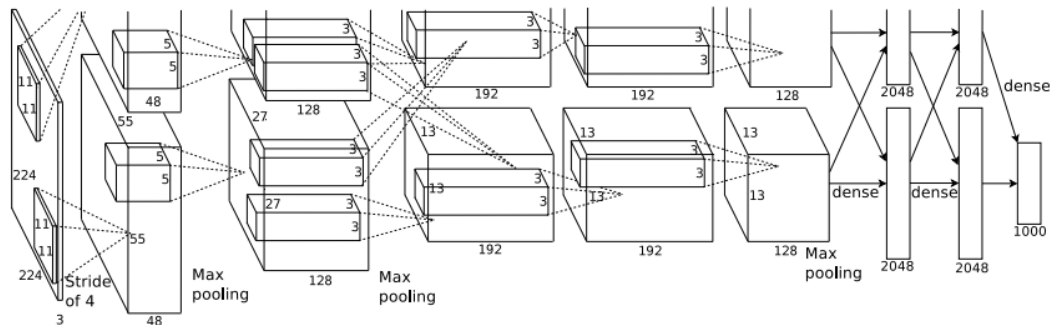


Figure copyright Alex Krizhevsky, Ilya Sutskever, and Geoffrey Hinton, 2012. Reproduced with permission.

Case Study: AlexNet

[Krizhevsky et al. 2012]



Input: 227x227x3 images

First layer (CONV1): 96 11x11 filters applied at stride 4

=>

Output volume **[55x55x96]**

Parameters: $(11 \cdot 11 \cdot 3 + 1) \cdot 96 = \mathbf{35K}$

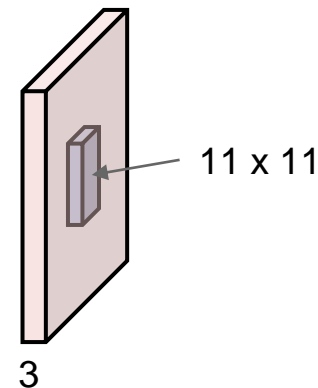
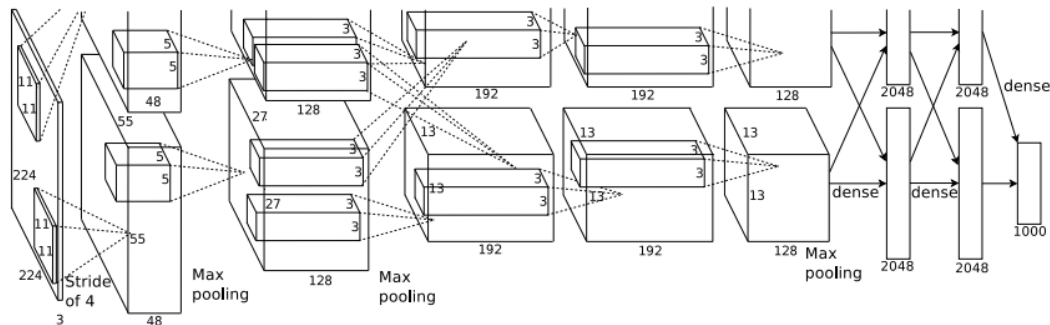


Figure copyright Alex Krizhevsky, Ilya Sutskever, and Geoffrey Hinton, 2012. Reproduced with permission.

Case Study: AlexNet

[Krizhevsky et al. 2012]



Input: 227x227x3 images

After CONV1: 55x55x96

Second layer (POOL1): 3x3 filters applied at stride 2

Output volume: 27x27x96

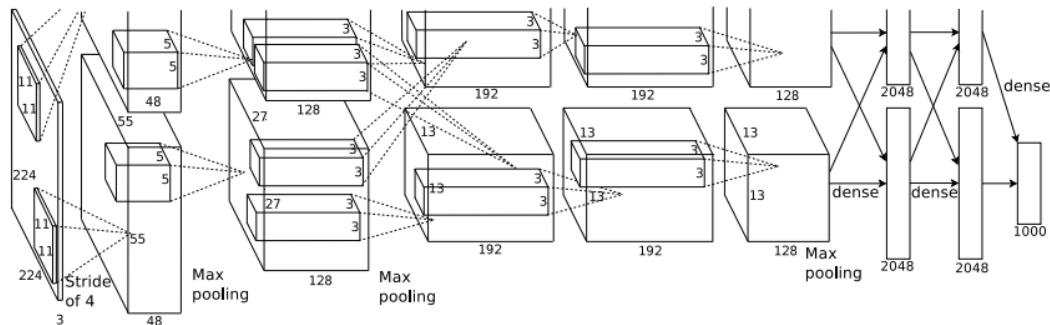
Q: what is the number of parameters in this layer?

$$W' = (W - F + 2P) / S + 1$$

Figure copyright Alex Krizhevsky, Ilya Sutskever, and Geoffrey Hinton, 2012. Reproduced with permission.

Case Study: AlexNet

[Krizhevsky et al. 2012]



Input: 227x227x3 images

After CONV1: 55x55x96

Second layer (POOL1): 3x3 filters applied at stride 2

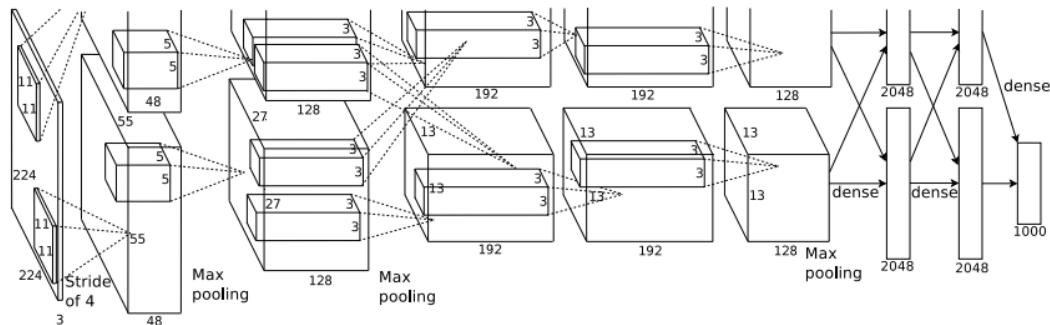
Output volume: 27x27x96

Parameters: 0!

Figure copyright Alex Krizhevsky, Ilya Sutskever, and Geoffrey Hinton, 2012. Reproduced with permission.

Case Study: AlexNet

[Krizhevsky et al. 2012]



Input: 227x227x3 images

After CONV1: 55x55x96

After POOL1: 27x27x96

...

Figure copyright Alex Krizhevsky, Ilya Sutskever, and Geoffrey Hinton, 2012. Reproduced with permission.

Case Study: AlexNet

[Krizhevsky et al. 2012]

Full (simplified) AlexNet architecture:

[227x227x3] INPUT

[55x55x96] **CONV1**: 96 11x11 filters at stride 4, pad 0

[27x27x96] **MAX POOL1**: 3x3 filters at stride 2

[27x27x96] **NORM1**: Normalization layer

[27x27x256] **CONV2**: 256 5x5 filters at stride 1, pad 2

[13x13x256] **MAX POOL2**: 3x3 filters at stride 2

[13x13x256] **NORM2**: Normalization layer

[13x13x384] **CONV3**: 384 3x3 filters at stride 1, pad 1

[13x13x384] **CONV4**: 384 3x3 filters at stride 1, pad 1

[13x13x256] **CONV5**: 256 3x3 filters at stride 1, pad 1

[6x6x256] **MAX POOL3**: 3x3 filters at stride 2

[4096] **FC6**: 4096 neurons

[4096] **FC7**: 4096 neurons

[1000] **FC8**: 1000 neurons (class scores)

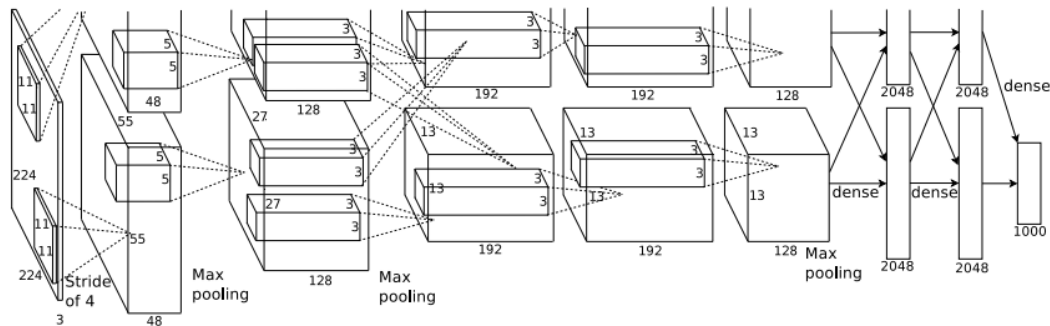


Figure copyright Alex Krizhevsky, Ilya Sutskever, and Geoffrey Hinton, 2012. Reproduced with permission.

Case Study: AlexNet

[Krizhevsky et al. 2012]

Full (simplified) AlexNet architecture:

[227x227x3] INPUT

[55x55x96] **CONV1**: 96 11x11 filters at stride 4, pad 0

[27x27x96] **MAX POOL1**: 3x3 filters at stride 2

[27x27x96] **NORM1**: Normalization layer

[27x27x256] **CONV2**: 256 5x5 filters at stride 1, pad 2

[13x13x256] **MAX POOL2**: 3x3 filters at stride 2

[13x13x256] **NORM2**: Normalization layer

[13x13x384] **CONV3**: 384 3x3 filters at stride 1, pad 1

[13x13x384] **CONV4**: 384 3x3 filters at stride 1, pad 1

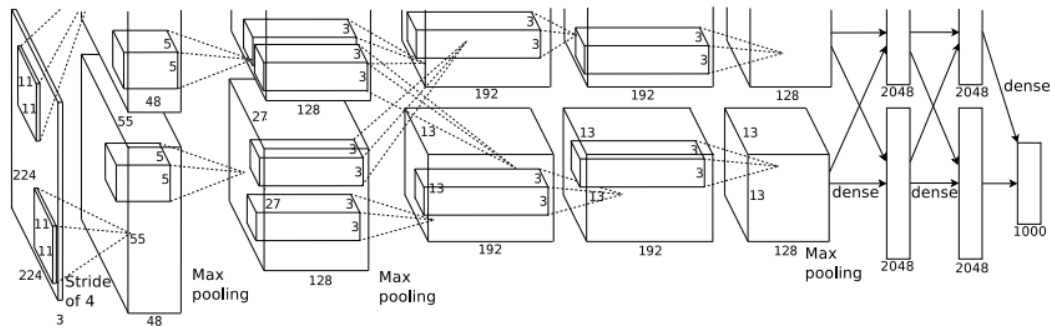
[13x13x256] **CONV5**: 256 3x3 filters at stride 1, pad 1

[6x6x256] **MAX POOL3**: 3x3 filters at stride 2

[4096] **FC6**: 4096 neurons

[4096] **FC7**: 4096 neurons

[1000] **FC8**: 1000 neurons (class scores)

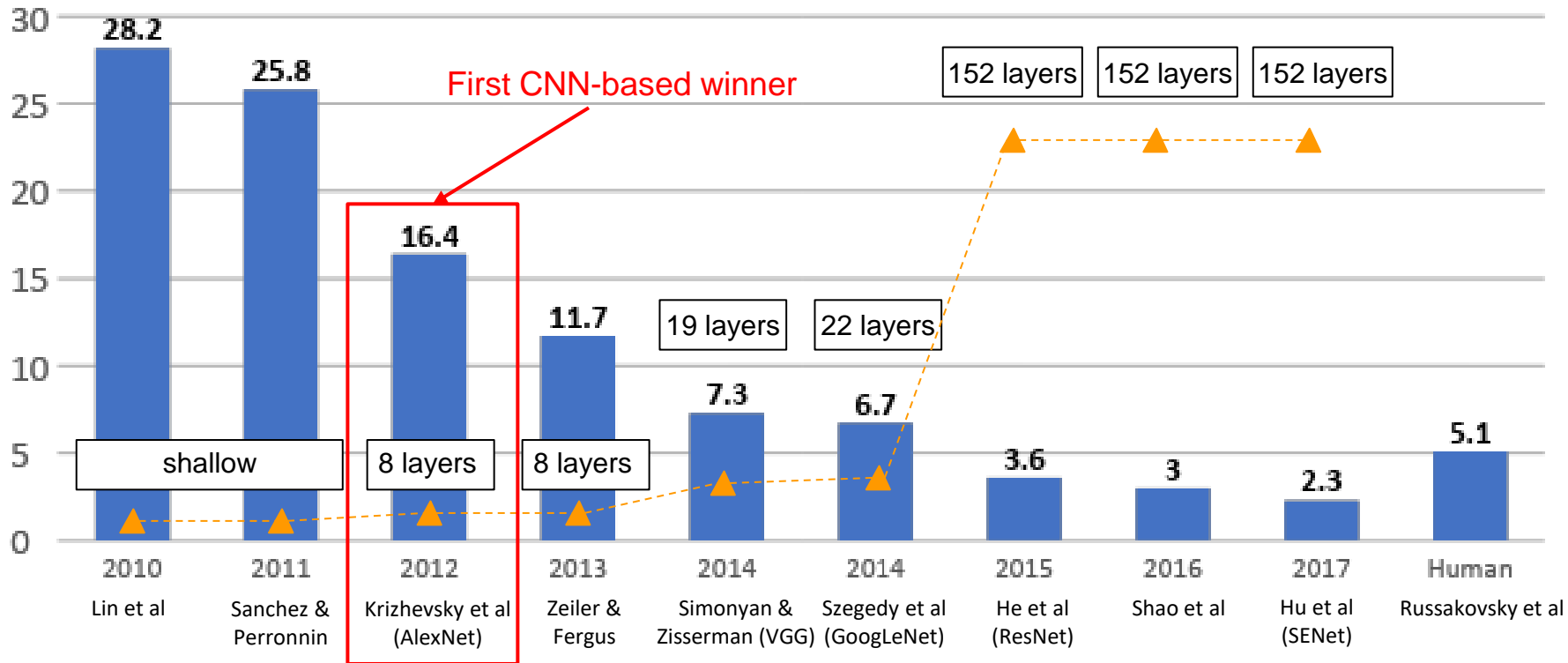


Details/Retrospectives:

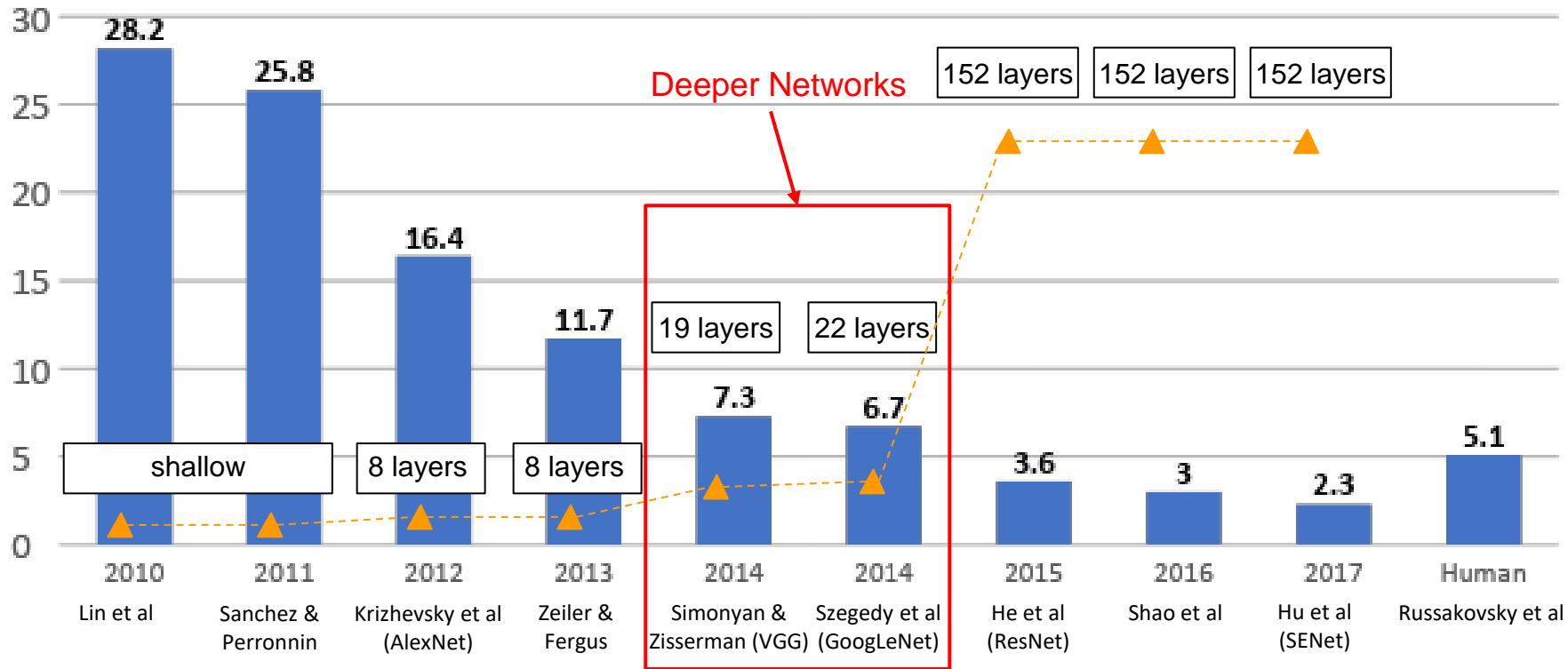
- first use of ReLU
- used LRN layers (not common anymore)
- heavy data augmentation
- dropout 0.5
- batch size 128
- SGD Momentum 0.9
- Learning rate 1e-2, reduced by 10 manually when val accuracy plateaus
- L2 weight decay 5e-4
- 7 CNN ensemble: 18.2% -> 15.4%

Figure copyright Alex Krizhevsky, Ilya Sutskever, and Geoffrey Hinton, 2012. Reproduced with permission.

ImageNet Large Scale Visual Recognition Challenge (ILSVRC) winners



ImageNet Large Scale Visual Recognition Challenge (ILSVRC) winners



Case Study: VGGNet

[Simonyan and Zisserman, 2014]

Small filters, Deeper networks

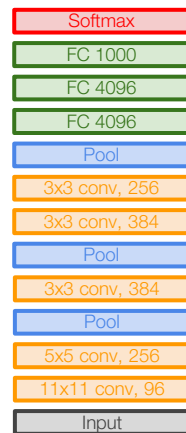
8 layers (AlexNet)

-> 16 - 19 layers (VGG16Net)

Only 3x3 CONV stride 1, pad 1
and 2x2 MAX POOL stride 2

11.7% top 5 error in ILSVRC'13
(ZFNet)

-> 7.3% top 5 error in ILSVRC'14



AlexNet



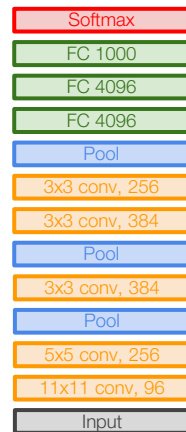
VGG16

VGG19

Case Study: VGGNet

[Simonyan and Zisserman, 2014]

Q: Why use smaller filters? (3x3 conv)



AlexNet



VGG16

VGG19

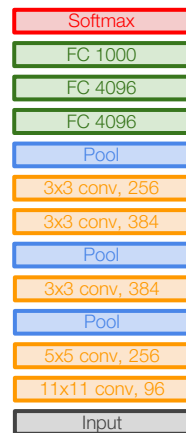
Case Study: VGGNet

[Simonyan and Zisserman, 2014]

Q: Why use smaller filters? (3x3 conv)

Stack of three 3x3 conv (stride 1) layers has same **effective receptive field** as one 7x7 conv layer

Q: What is the effective receptive field of three 3x3 conv (stride 1) layers?



AlexNet



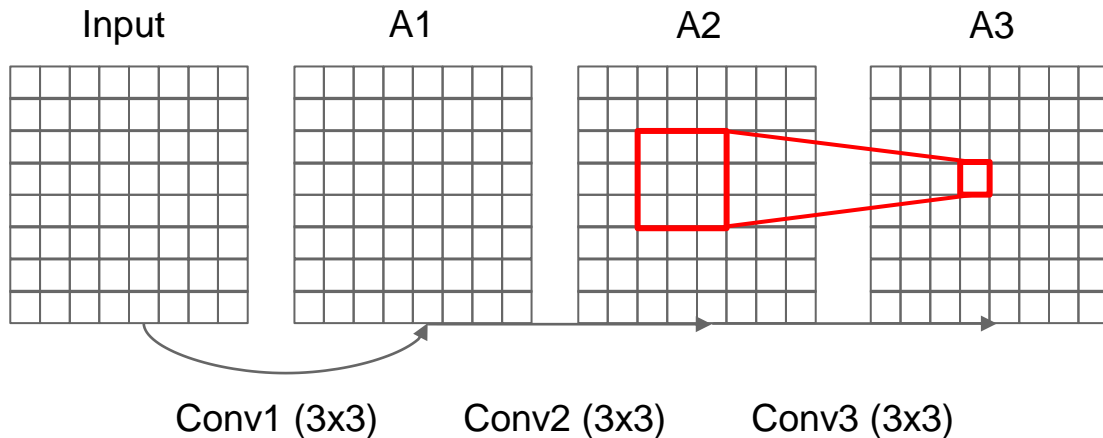
VGG16

VGG19

Case Study: VGGNet

[Simonyan and Zisserman, 2014]

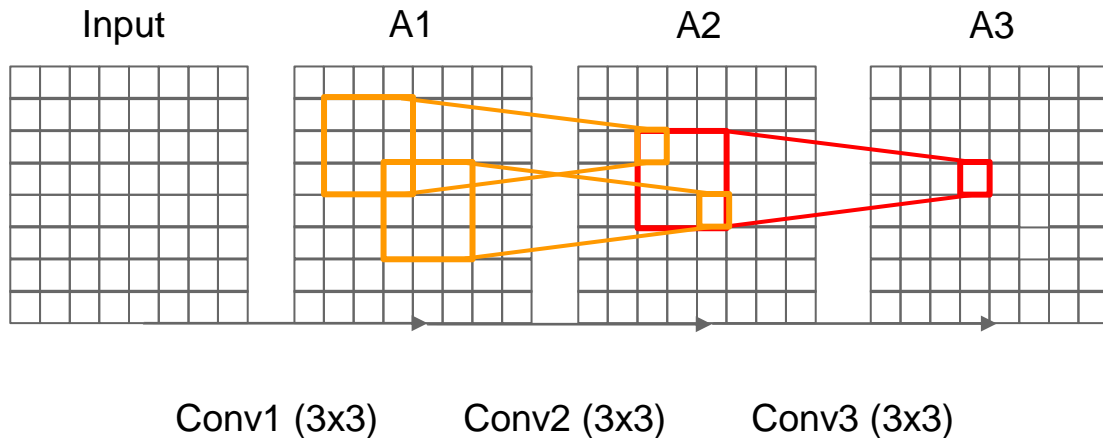
Q: What is the effective receptive field of three 3x3 conv (stride 1) layers?



Case Study: VGGNet

[Simonyan and Zisserman, 2014]

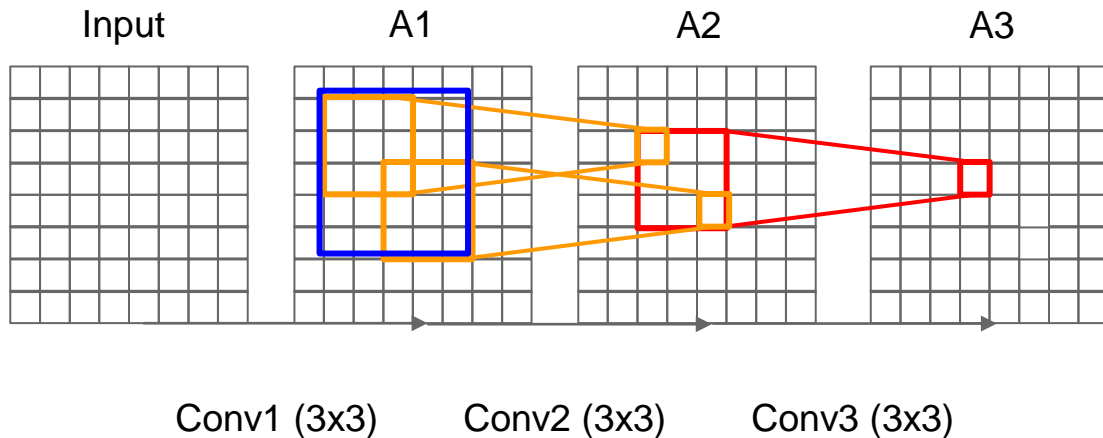
Q: What is the effective receptive field of three 3x3 conv (stride 1) layers?



Case Study: VGGNet

[Simonyan and Zisserman, 2014]

Q: What is the effective receptive field of three 3x3 conv (stride 1) layers?



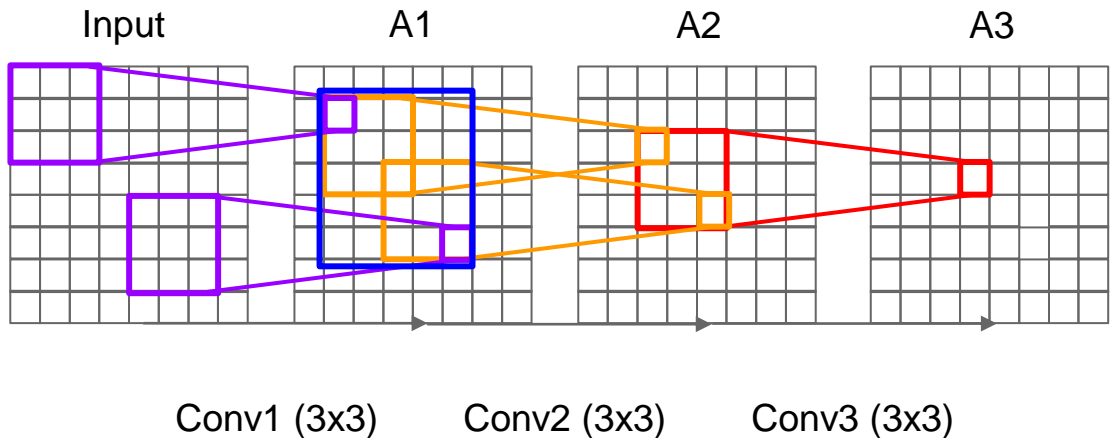
VGG16

VGG19

Case Study: VGGNet

[Simonyan and Zisserman, 2014]

Q: What is the effective receptive field of three 3x3 conv (stride 1) layers?



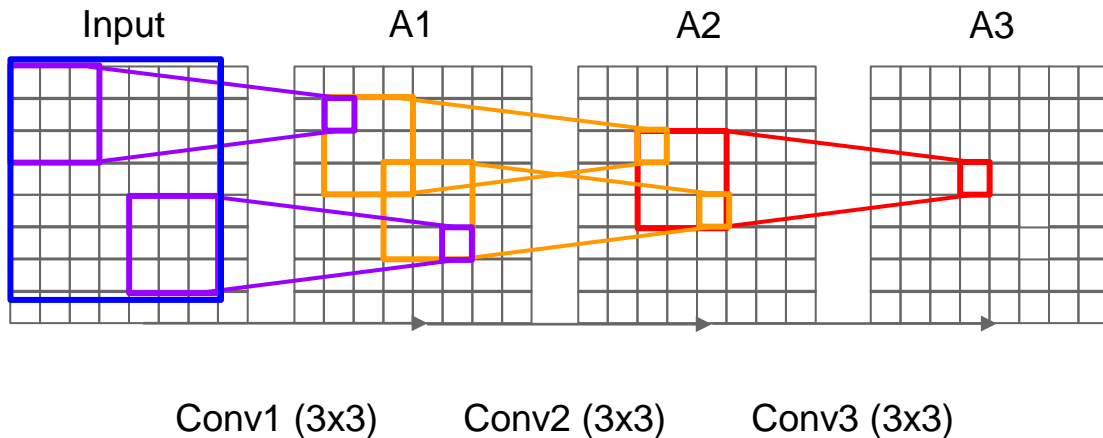
VGG16

VGG19

Case Study: VGGNet

[Simonyan and Zisserman, 2014]

Q: What is the effective receptive field of three 3x3 conv (stride 1) layers?



VGG16

VGG19

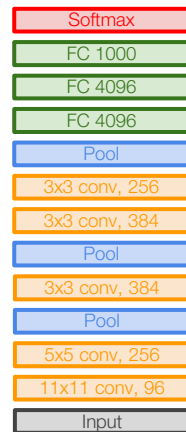
Case Study: VGGNet

[Simonyan and Zisserman, 2014]

Q: Why use smaller filters? (3x3 conv)

Stack of three 3x3 conv (stride 1) layers has same **effective receptive field** as one 7x7 conv layer

[7x7]



AlexNet



VGG16

VGG19

Case Study: VGGNet

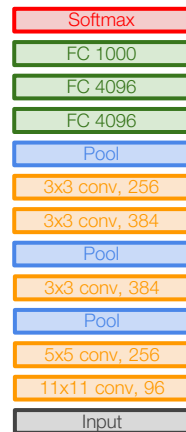
[Simonyan and Zisserman, 2014]

Q: Why use smaller filters? (3x3 conv)

Stack of three 3x3 conv (stride 1) layers has same **effective receptive field** as one 7x7 conv layer

But deeper, more non-linearities

And fewer parameters: $3 * (3^2 C^2)$ vs. $7^2 C^2$ for C channels per layer



AlexNet



VGG16

VGG19

INPUT: [224x224x3] memory: 224*224*3=150K params: 0 (not counting biases)

CONV3-64: [224x224x64] memory: 224*224*64=3.2M params: (3*3*3)*64 = 1,728

CONV3-64: [224x224x64] memory: 224*224*64=3.2M params: (3*3*64)*64 = 36,864

POOL2: [112x112x64] memory: 112*112*64=800K params: 0

CONV3-128: [112x112x128] memory: 112*112*128=1.6M params: (3*3*64)*128 = 73,728

CONV3-128: [112x112x128] memory: 112*112*128=1.6M params: (3*3*128)*128 = 147,456

POOL2: [56x56x128] memory: 56*56*128=400K params: 0

CONV3-256: [56x56x256] memory: 56*56*256=800K params: (3*3*128)*256 = 294,912

CONV3-256: [56x56x256] memory: 56*56*256=800K params: (3*3*256)*256 = 589,824

CONV3-256: [56x56x256] memory: 56*56*256=800K params: (3*3*256)*256 = 589,824

POOL2: [28x28x256] memory: 28*28*256=200K params: 0

CONV3-512: [28x28x512] memory: 28*28*512=400K params: (3*3*256)*512 = 1,179,648

CONV3-512: [28x28x512] memory: 28*28*512=400K params: (3*3*512)*512 = 2,359,296

CONV3-512: [28x28x512] memory: 28*28*512=400K params: (3*3*512)*512 = 2,359,296

POOL2: [14x14x512] memory: 14*14*512=100K params: 0

CONV3-512: [14x14x512] memory: 14*14*512=100K params: (3*3*512)*512 = 2,359,296

CONV3-512: [14x14x512] memory: 14*14*512=100K params: (3*3*512)*512 = 2,359,296

CONV3-512: [14x14x512] memory: 14*14*512=100K params: (3*3*512)*512 = 2,359,296

POOL2: [7x7x512] memory: 7*7*512=25K params: 0

FC: [1x1x4096] memory: 4096 params: 7*7*512*4096 = 102,760,448

FC: [1x1x4096] memory: 4096 params: 4096*4096 = 16,777,216

FC: [1x1x1000] memory: 1000 params: 4096*1000 = 4,096,000



VGG16

INPUT: [224x224x3] memory: $224*224*3=150K$ params: 0 (not counting biases)

CONV3-64: [224x224x64] memory: $224*224*64=3.2M$ params: $(3*3*3)*64 = 1,728$

CONV3-64: [224x224x64] memory: $224*224*64=3.2M$ params: $(3*3*64)*64 = 36,864$

POOL2: [112x112x64] memory: $112*112*64=800K$ params: 0

CONV3-128: [112x112x128] memory: $112*112*128=1.6M$ params: $(3*3*64)*128 = 73,728$

CONV3-128: [112x112x128] memory: $112*112*128=1.6M$ params: $(3*3*128)*128 = 147,456$

POOL2: [56x56x128] memory: $56*56*128=400K$ params: 0

CONV3-256: [56x56x256] memory: $56*56*256=800K$ params: $(3*3*128)*256 = 294,912$

CONV3-256: [56x56x256] memory: $56*56*256=800K$ params: $(3*3*256)*256 = 589,824$

CONV3-256: [56x56x256] memory: $56*56*256=800K$ params: $(3*3*256)*256 = 589,824$

POOL2: [28x28x256] memory: $28*28*256=200K$ params: 0

CONV3-512: [28x28x512] memory: $28*28*512=400K$ params: $(3*3*256)*512 = 1,179,648$

CONV3-512: [28x28x512] memory: $28*28*512=400K$ params: $(3*3*512)*512 = 2,359,296$

CONV3-512: [28x28x512] memory: $28*28*512=400K$ params: $(3*3*512)*512 = 2,359,296$

POOL2: [14x14x512] memory: $14*14*512=100K$ params: 0

CONV3-512: [14x14x512] memory: $14*14*512=100K$ params: $(3*3*512)*512 = 2,359,296$

CONV3-512: [14x14x512] memory: $14*14*512=100K$ params: $(3*3*512)*512 = 2,359,296$

CONV3-512: [14x14x512] memory: $14*14*512=100K$ params: $(3*3*512)*512 = 2,359,296$

POOL2: [7x7x512] memory: $7*7*512=25K$ params: 0

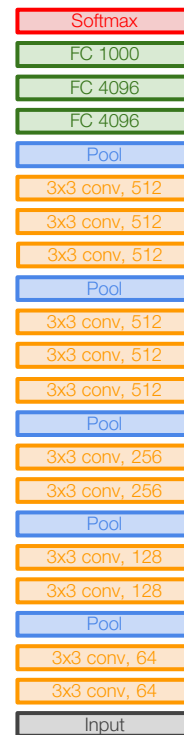
FC: [1x1x4096] memory: 4096 params: $7*7*512*4096 = 102,760,448$

FC: [1x1x4096] memory: 4096 params: $4096*4096 = 16,777,216$

FC: [1x1x1000] memory: 1000 params: $4096*1000 = 4,096,000$

TOTAL memory: 24M * 4 bytes \approx 96MB / image (for a forward pass)

TOTAL params: 138M parameters



VGG16

INPUT: [224x224x3] memory: $224*224*3=150K$ params: 0 (not counting biases)

CONV3-64: [224x224x64] memory: $224*224*64=3.2M$ params: $(3*3*3)*64 = 1,728$

CONV3-64: [224x224x64] memory: $224*224*64=3.2M$ ← params: $(3*3*64)*64 = 36,864$

POOL2: [112x112x64] memory: $112*112*64=800K$ params: 0

CONV3-128: [112x112x128] memory: $112*112*128=1.6M$ params: $(3*3*64)*128 = 73,728$

CONV3-128: [112x112x128] memory: $112*112*128=1.6M$ params: $(3*3*128)*128 = 147,456$

POOL2: [56x56x128] memory: $56*56*128=400K$ params: 0

CONV3-256: [56x56x256] memory: $56*56*256=800K$ params: $(3*3*128)*256 = 294,912$

CONV3-256: [56x56x256] memory: $56*56*256=800K$ params: $(3*3*256)*256 = 589,824$

CONV3-256: [56x56x256] memory: $56*56*256=800K$ params: $(3*3*256)*256 = 589,824$

POOL2: [28x28x256] memory: $28*28*256=200K$ params: 0

CONV3-512: [28x28x512] memory: $28*28*512=400K$ params: $(3*3*256)*512 = 1,179,648$

CONV3-512: [28x28x512] memory: $28*28*512=400K$ params: $(3*3*512)*512 = 2,359,296$

CONV3-512: [28x28x512] memory: $28*28*512=400K$ params: $(3*3*512)*512 = 2,359,296$

POOL2: [14x14x512] memory: $14*14*512=100K$ params: 0

CONV3-512: [14x14x512] memory: $14*14*512=100K$ params: $(3*3*512)*512 = 2,359,296$

CONV3-512: [14x14x512] memory: $14*14*512=100K$ params: $(3*3*512)*512 = 2,359,296$

CONV3-512: [14x14x512] memory: $14*14*512=100K$ params: $(3*3*512)*512 = 2,359,296$

POOL2: [7x7x512] memory: $7*7*512=25K$ params: 0

FC: [1x1x4096] memory: 4096 params: $7*7*512*4096 = 102,760,448$

FC: [1x1x4096] memory: 4096 params: $4096*4096 = 16,777,216$

FC: [1x1x1000] memory: 1000 params: $4096*1000 = 4,096,000$

TOTAL memory: $24M * 4 \text{ bytes} \approx 96MB / \text{image}$ (only forward! ~ 2 for bwd)

TOTAL params: 138M parameters

Note:

Most memory is in early CONV

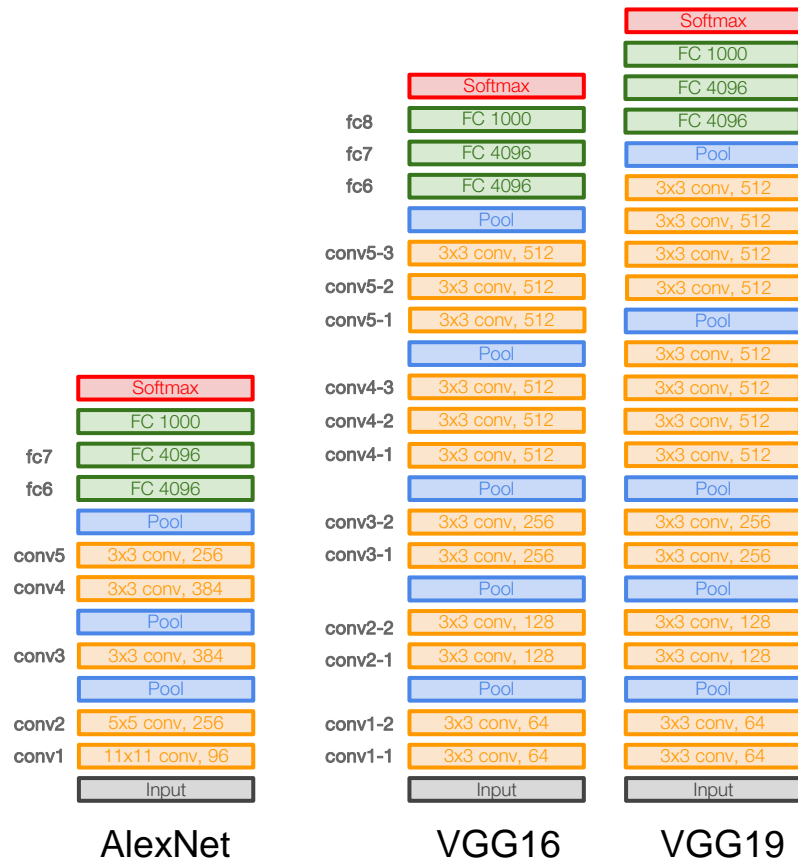
Most params are in late FC

Case Study: VGGNet

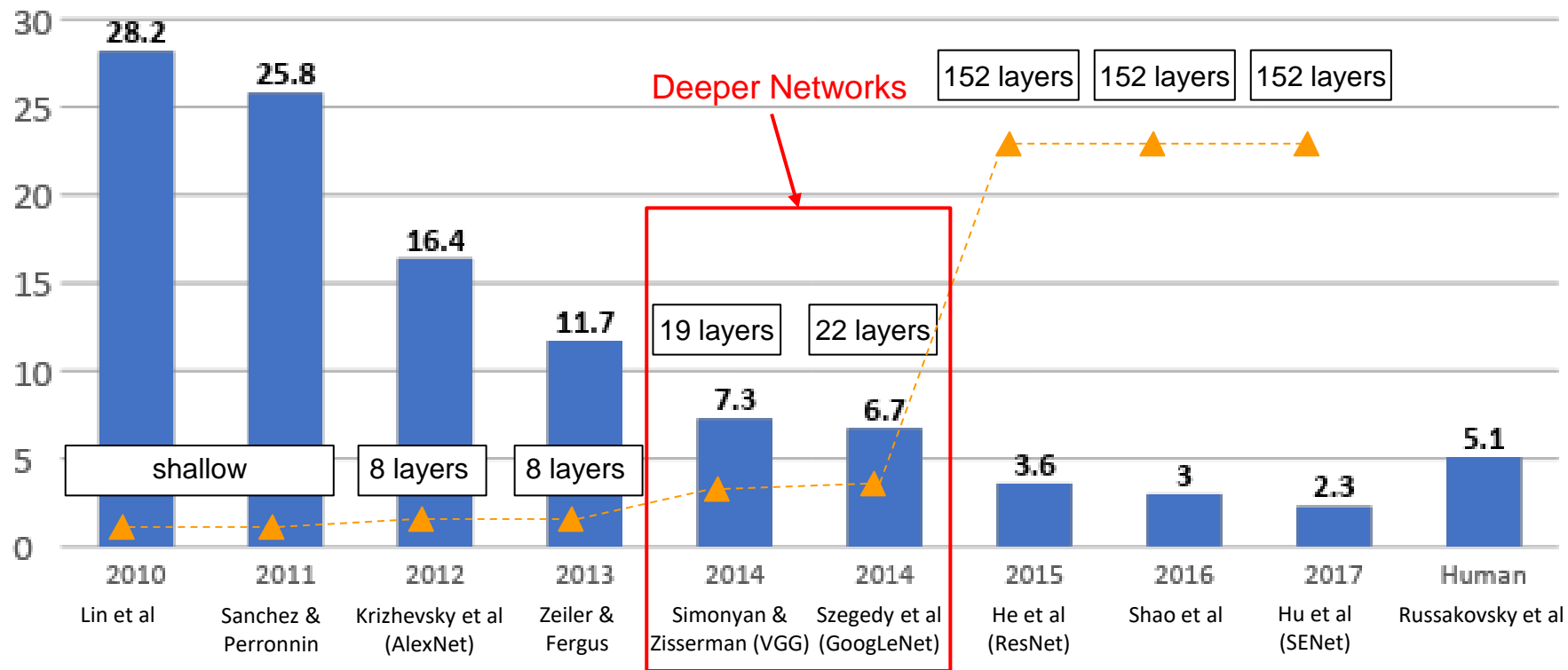
[Simonyan and Zisserman, 2014]

Details:

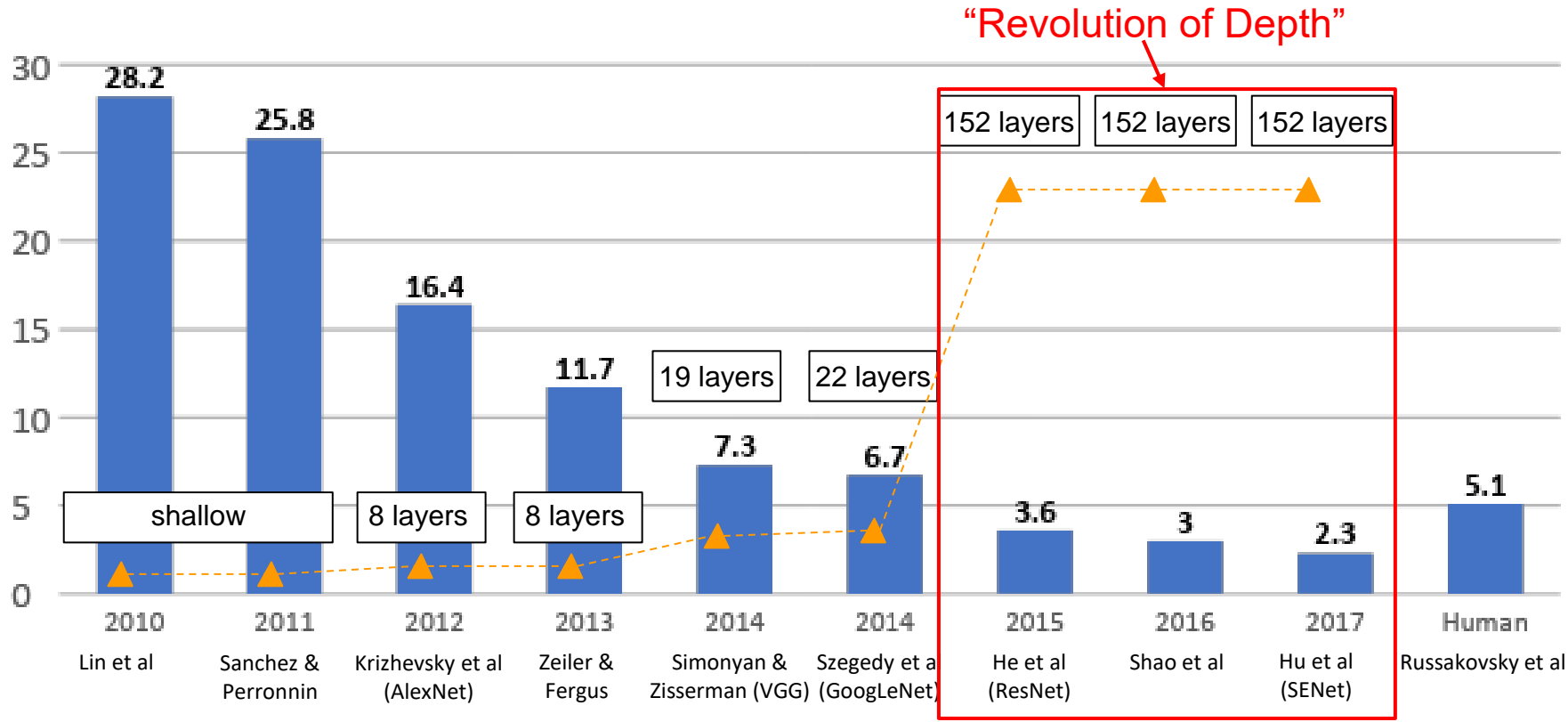
- ILSVRC'14 2nd in classification, 1st in localization
- Similar training procedure as Krizhevsky 2012
- No Local Response Normalisation (LRN)
- Use VGG16 or VGG19 (VGG19 only slightly better, more memory)
- Use ensembles for best results
- FC7 features generalize well to other tasks



ImageNet Large Scale Visual Recognition Challenge (ILSVRC) winners



ImageNet Large Scale Visual Recognition Challenge (ILSVRC) winners

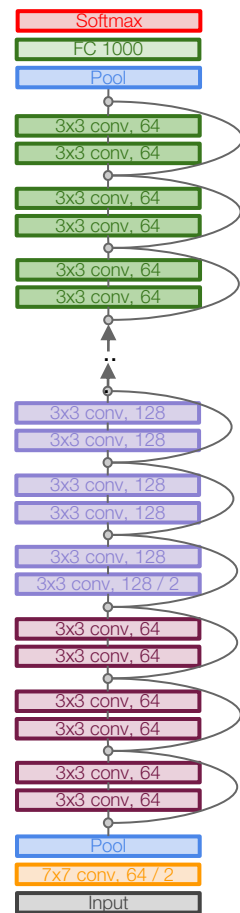
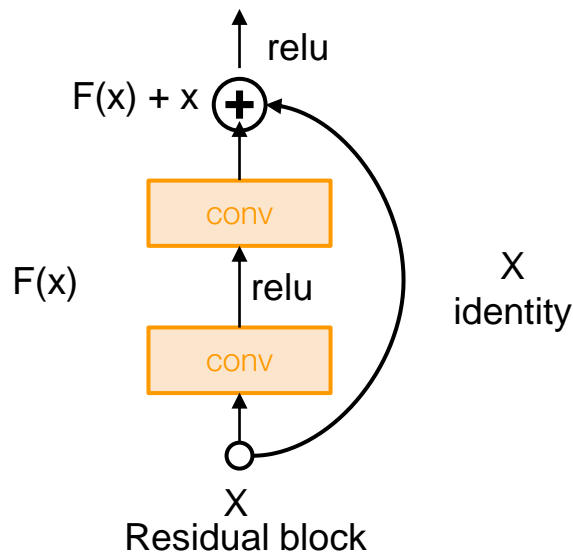


Case Study: ResNet

[He et al., 2015]

Very deep networks using residual connections

- 152-layer model for ImageNet
- ILSVRC'15 classification winner (3.57% top 5 error)
- Swept all classification and detection competitions in ILSVRC'15 and COCO'15!



Case Study: ResNet

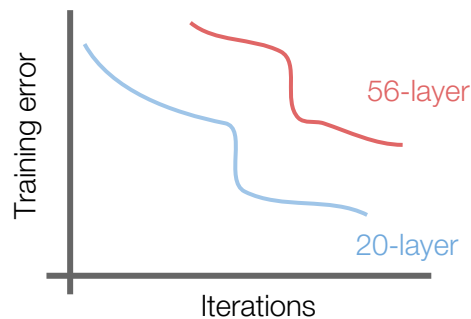
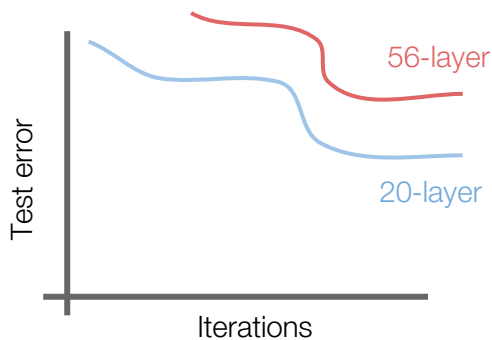
[He et al., 2015]

What happens when we continue stacking deeper layers on a “plain” convolutional neural network?

Case Study: ResNet

[He et al., 2015]

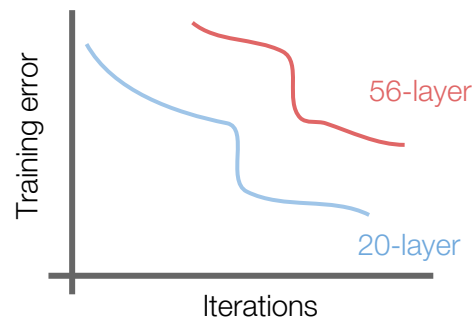
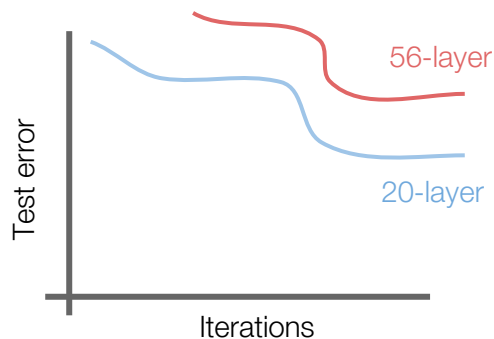
What happens when we continue stacking deeper layers on a “plain” convolutional neural network?



Case Study: ResNet

[He et al., 2015]

What happens when we continue stacking deeper layers on a “plain” convolutional neural network?



56-layer model performs worse on both test and training error

-> The deeper model performs worse, but it's **not caused by overfitting!**

Case Study: ResNet

[He et al., 2015]

Fact: Deep models have more representation power (more parameters) than shallower models.

Hypothesis: the problem is an *optimization* problem,
deeper models are harder to optimize

Case Study: ResNet

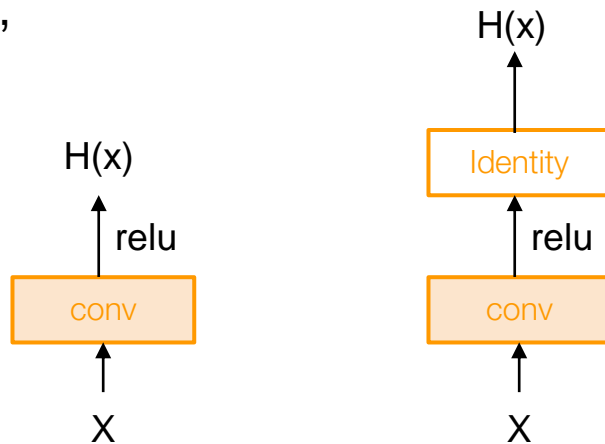
[He et al., 2015]

Fact: Deep models have more representation power (more parameters) than shallower models.

Hypothesis: the problem is an *optimization* problem, deeper models are harder to optimize

What should the deeper model learn to be at least as good as the shallower model?

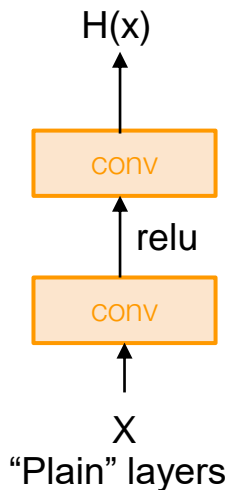
A solution by construction is copying the learned layers from the shallower model and setting additional layers to identity mapping.



Case Study: ResNet

[He et al., 2015]

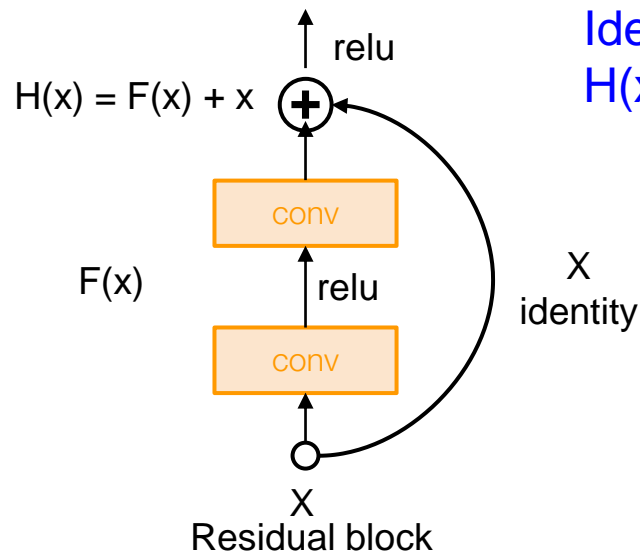
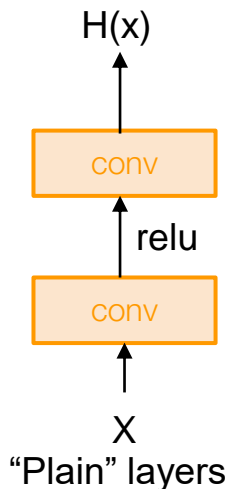
Solution: Use network layers to fit a residual mapping instead of directly trying to fit a desired underlying mapping



Case Study: ResNet

[He et al., 2015]

Solution: Use network layers to fit a residual mapping instead of directly trying to fit a desired underlying mapping

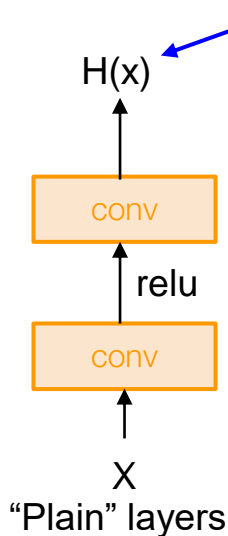


Identity mapping:
 $H(x) = x$ if $F(x) = 0$

Case Study: ResNet

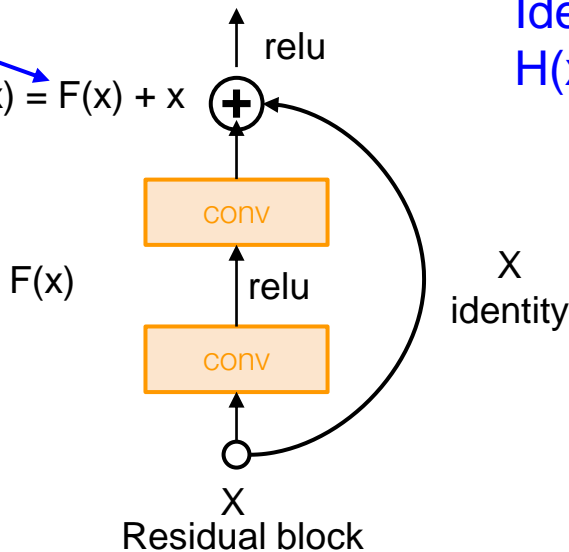
[He et al., 2015]

Solution: Use network layers to fit a residual mapping instead of directly trying to fit a desired underlying mapping



$$H(x) = F(x) + x$$

$$H(x) = F(x) + x$$



Identity mapping:
 $H(x) = x$ if $F(x) = 0$

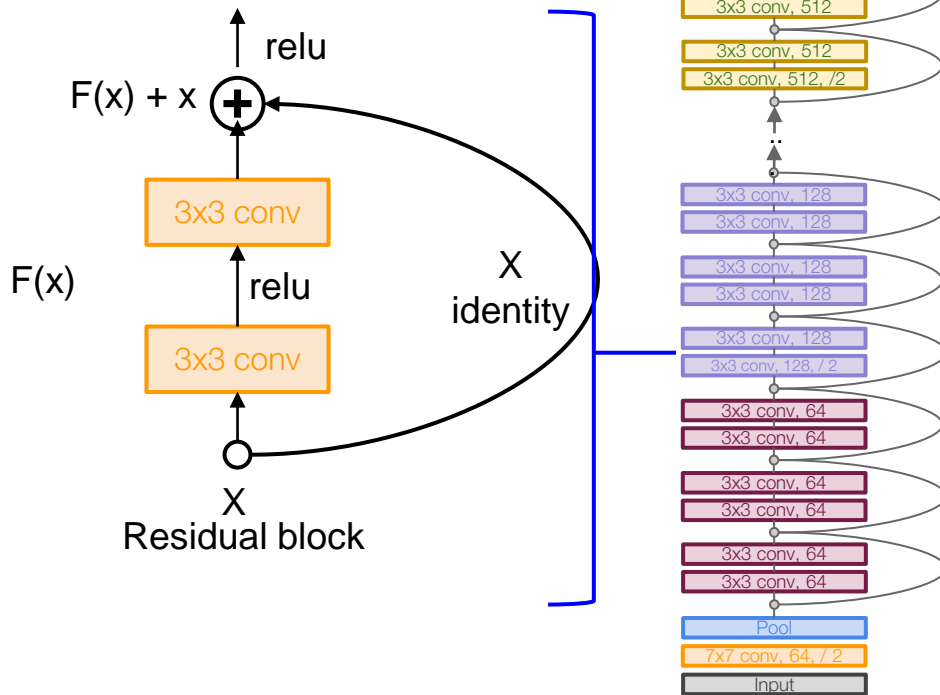
Use layers to fit **residual**
 $F(x) = H(x) - x$
instead of $H(x)$ directly

Case Study: ResNet

[He et al., 2015]

Full ResNet architecture:

- Stack residual blocks
- Every residual block has two 3x3 conv layers

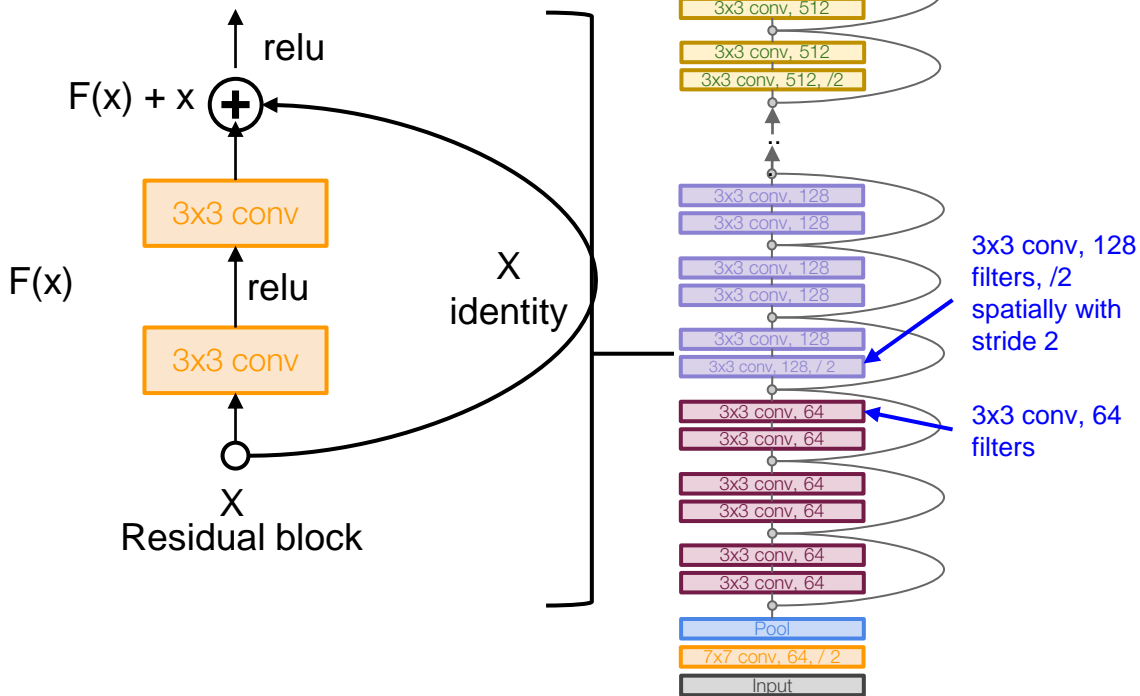


Case Study: ResNet

[He et al., 2015]

Full ResNet architecture:

- Stack residual blocks
 - Every residual block has two 3x3 conv layers
 - Periodically, double # of filters and downsample spatially using stride 2 (/2 in each dimension)
- Reduce the activation volume by half.

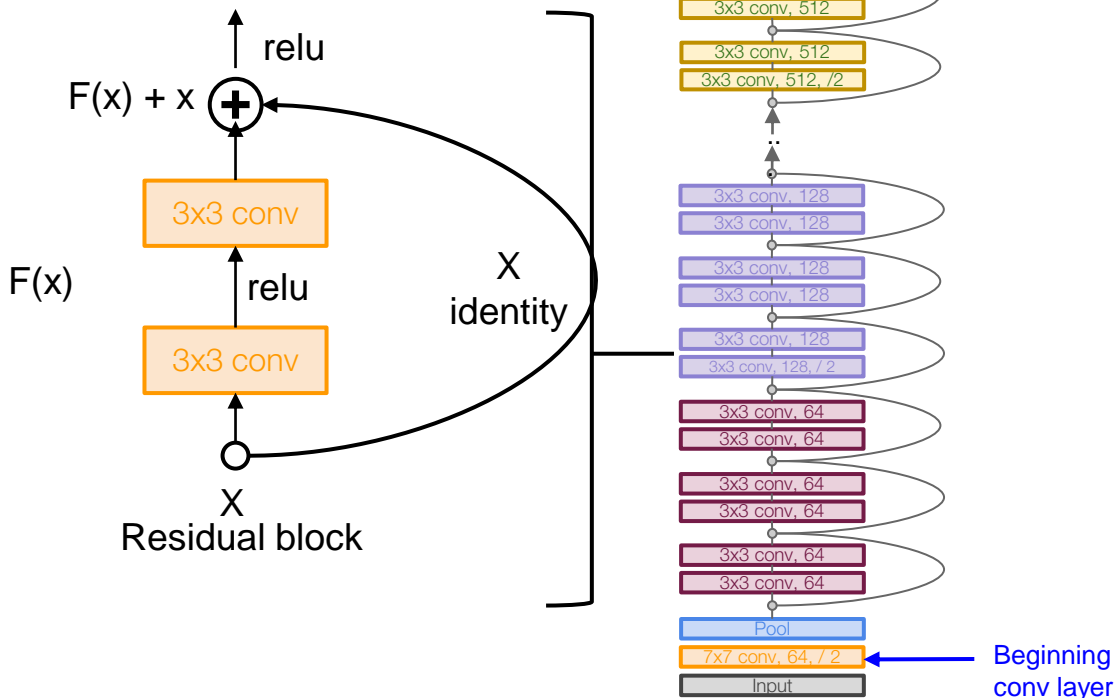


Case Study: ResNet

[He et al., 2015]

Full ResNet architecture:

- Stack residual blocks
- Every residual block has two 3x3 conv layers
- Periodically, double # of filters and downsample spatially using stride 2 (/2 in each dimension)
- Additional conv layer at the beginning (stem)

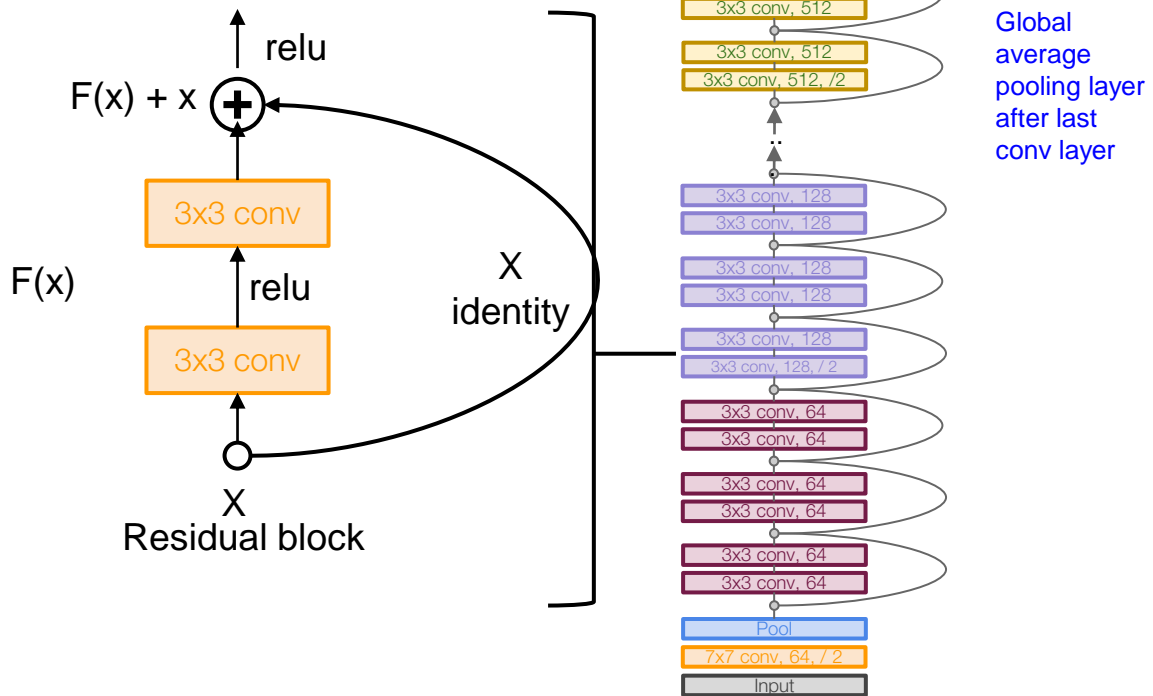


Case Study: ResNet

[He et al., 2015]

Full ResNet architecture:

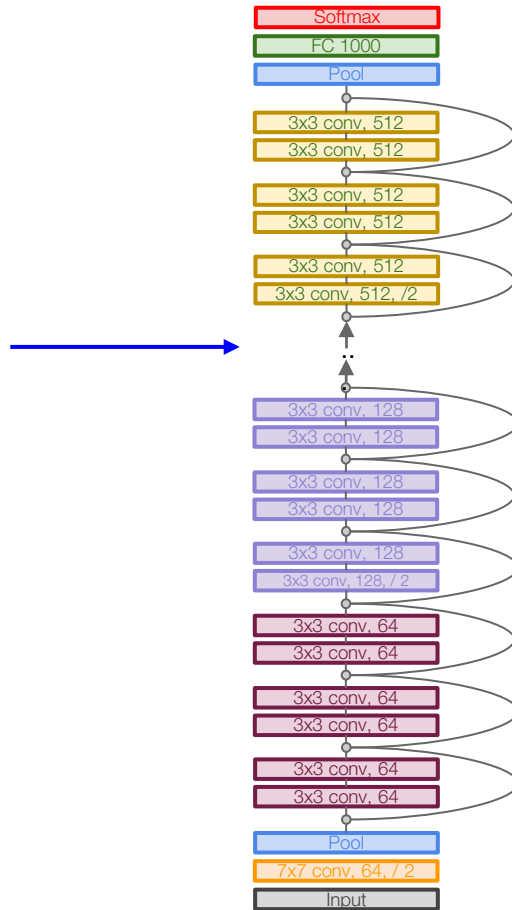
- Stack residual blocks
- Every residual block has two 3x3 conv layers
- Periodically, double # of filters and downsample spatially using stride 2 (/2 in each dimension)
- Additional conv layer at the beginning (stem)
- No FC layers at the end (only FC 1000 to output classes)
- (In theory, you can train a ResNet with input image of variable sizes)



Case Study: ResNet

[He et al., 2015]

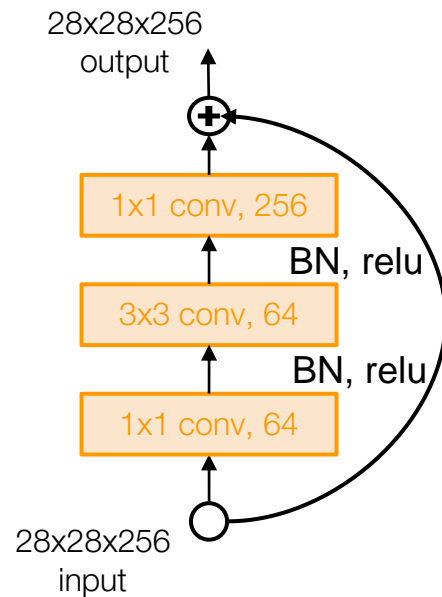
Total depths of 18, 34, 50,
101, or 152 layers for
ImageNet



Case Study: ResNet

[He et al., 2015]

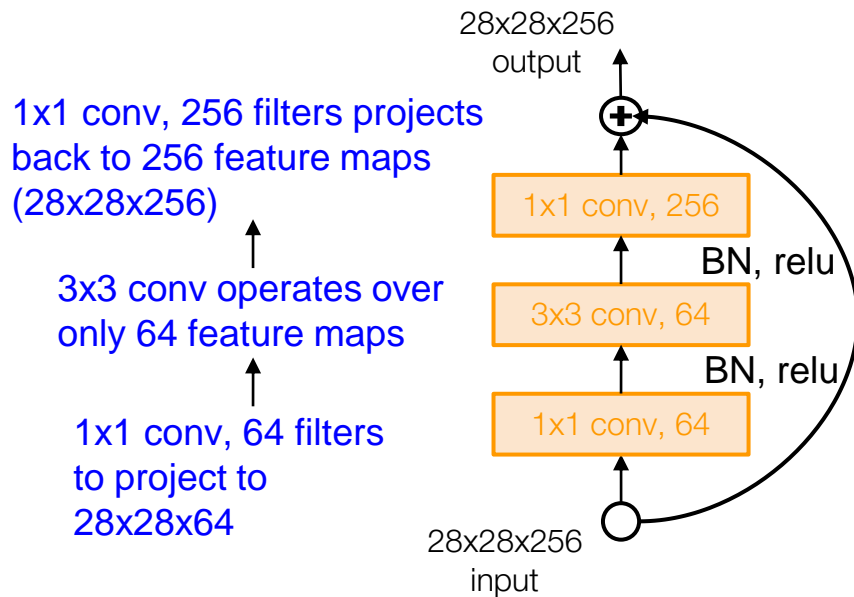
For deeper networks (ResNet-50+), use “bottleneck” layer to improve efficiency (similar to GoogLeNet)



Case Study: ResNet

[He et al., 2015]

For deeper networks (ResNet-50+), use “bottleneck” layer to improve efficiency (similar to GoogLeNet)



Case Study: ResNet

[He et al., 2015]

Training ResNet in practice:

- Batch Normalization after every CONV layer
- Xavier initialization from He et al.
- SGD + Momentum (0.9)
- Learning rate: 0.1, divided by 10 when validation error plateaus
- Mini-batch size 256
- Weight decay of $1e-5$
- No dropout used

Case Study: ResNet

[He et al., 2015]

Experimental Results

- Able to train very deep networks without degrading (152 layers on ImageNet, 1202 on Cifar)
- Deeper networks now achieve lower training error as expected
- Swept 1st place in all ILSVRC and COCO 2015 competitions

MSRA @ ILSVRC & COCO 2015 Competitions

- **1st places in all five main tracks**

- ImageNet Classification: “Ultra-deep” (quote Yann) **152-layer** nets
- ImageNet Detection: **16%** better than 2nd
- ImageNet Localization: **27%** better than 2nd
- COCO Detection: **11%** better than 2nd
- COCO Segmentation: **12%** better than 2nd

Case Study: ResNet

[He et al., 2015]

Experimental Results

- Able to train very deep networks without degrading (152 layers on ImageNet, 1202 on Cifar)
- Deeper networks now achieve lower training error as expected
- Swept 1st place in all ILSVRC and COCO 2015 competitions

MSRA @ ILSVRC & COCO 2015 Competitions

• 1st places in all five main tracks

- ImageNet Classification: “Ultra-deep” (quote Yann) 152-layer nets
- ImageNet Detection: 16% better than 2nd
- ImageNet Localization: 27% better than 2nd
- COCO Detection: 11% better than 2nd
- COCO Segmentation: 12% better than 2nd

ILSVRC 2015 classification winner (3.6% top 5 error) -- better than “human performance”! (Russakovsky 2014)

Summary: CNN Architectures

Case Studies

- AlexNet
- VGG
- ResNet

Also....

- ZFNet
- GoogLeNet
- SENet
- Wide ResNet
- ResNeXT
- DenseNet
- MobileNets
- NASNet

Main takeaways

AlexNet showed that you can use CNNs to train Computer Vision models.

VGG shows that bigger networks work better

ResNet showed us how to train extremely deep networks

- Limited only by GPU & memory!
- Showed diminishing returns as networks got bigger

After ResNet: CNNs were better than the human metric and focus shifted to other topics:

- Efficient Networks: **MobileNet**, **ShuffleNet**
- **Neural Architecture Search** can now automate architecture design

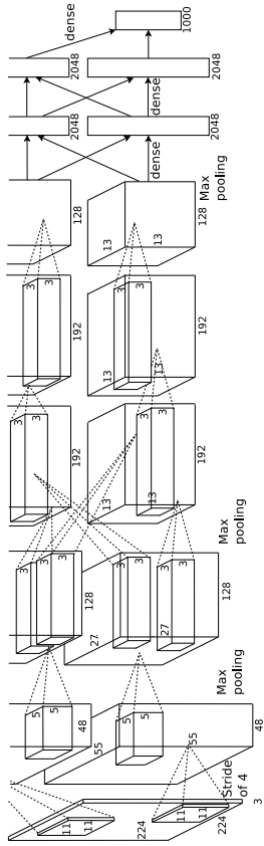
Summary: CNN Architectures

- Many popular architectures are available in model zoos.
- ResNets are good defaults to use.
 - True for > 8 years!
- Networks have gotten increasingly deep over time.
- Many other aspects of network architectures are also continuously being investigated and improved.

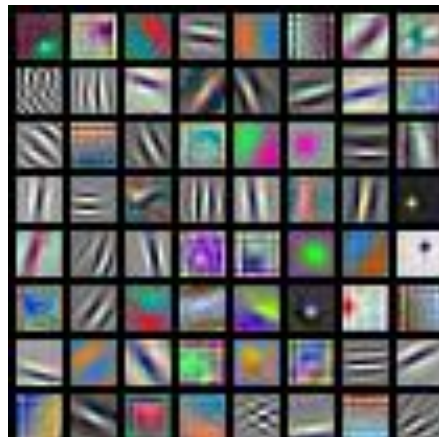
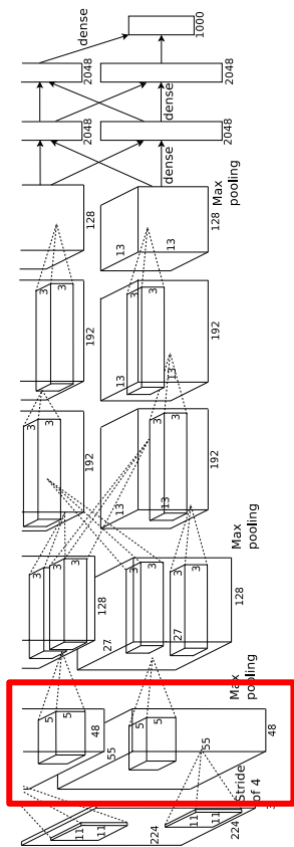
Transfer learning

You need a lot of a data if you want to train/use CNNs?

Transfer Learning with CNNs



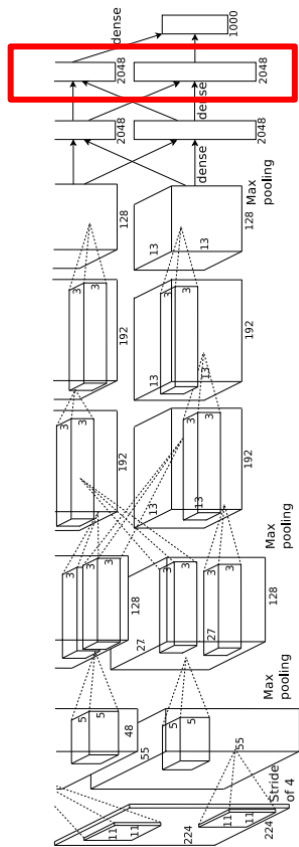
Transfer Learning with CNNs



AlexNet:
64 x 3 x 11 x 11

(More on this in Lecture 13)

Transfer Learning with CNNs



Test image L2 Nearest neighbors in feature space



(More on this in Lecture 13)

Transfer Learning with CNNs

Donahue et al, "DeCAF: A Deep Convolutional Activation Feature for Generic Visual Recognition", ICML 2014
Razavian et al, "CNN Features Off-the-Shelf: An Astounding Baseline for Recognition", CVPR Workshops 2014

1. Train on Imagenet



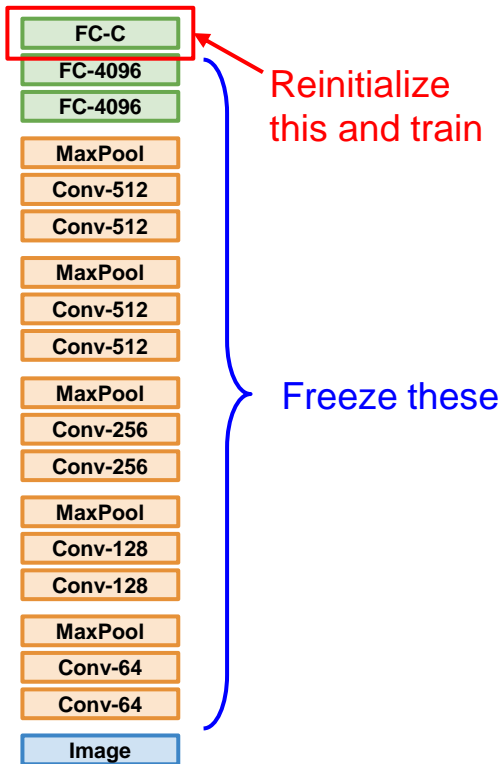
Transfer Learning with CNNs

Donahue et al, "DeCAF: A Deep Convolutional Activation Feature for Generic Visual Recognition", ICML 2014
Razavian et al, "CNN Features Off-the-Shelf: An Astounding Baseline for Recognition", CVPR Workshops 2014

1. Train on Imagenet



2. Small Dataset (C classes)



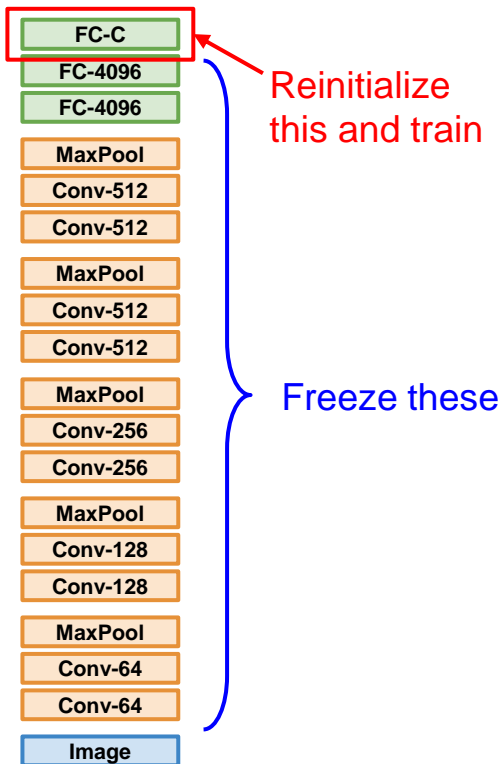
Transfer Learning with CNNs

Donahue et al, "DeCAF: A Deep Convolutional Activation Feature for Generic Visual Recognition", ICML 2014
Razavian et al, "CNN Features Off-the-Shelf: An Astounding Baseline for Recognition", CVPR Workshops 2014

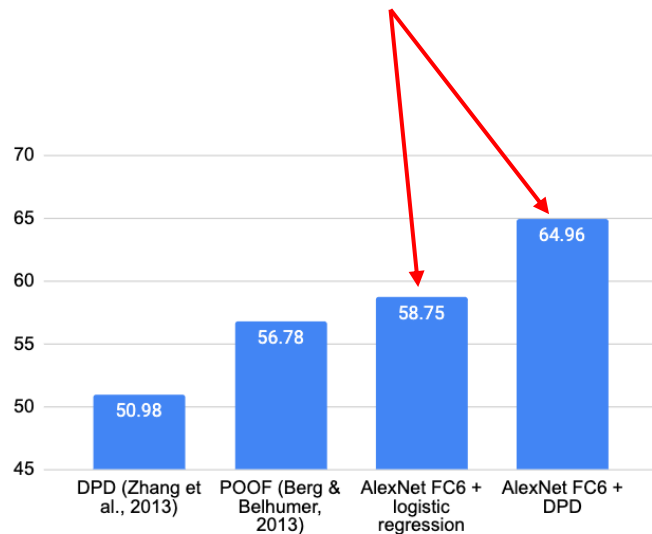
1. Train on Imagenet



2. Small Dataset (C classes)



Finetuned from AlexNet



Donahue et al, "DeCAF: A Deep Convolutional Activation Feature for Generic Visual Recognition", ICML 2014

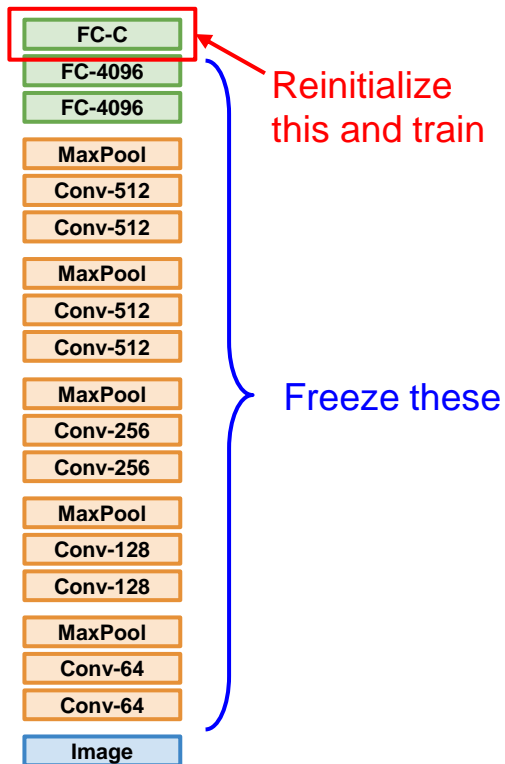
Transfer Learning with CNNs

Donahue et al, "DeCAF: A Deep Convolutional Activation Feature for Generic Visual Recognition", ICML 2014
Razavian et al, "CNN Features Off-the-Shelf: An Astounding Baseline for Recognition", CVPR Workshops 2014

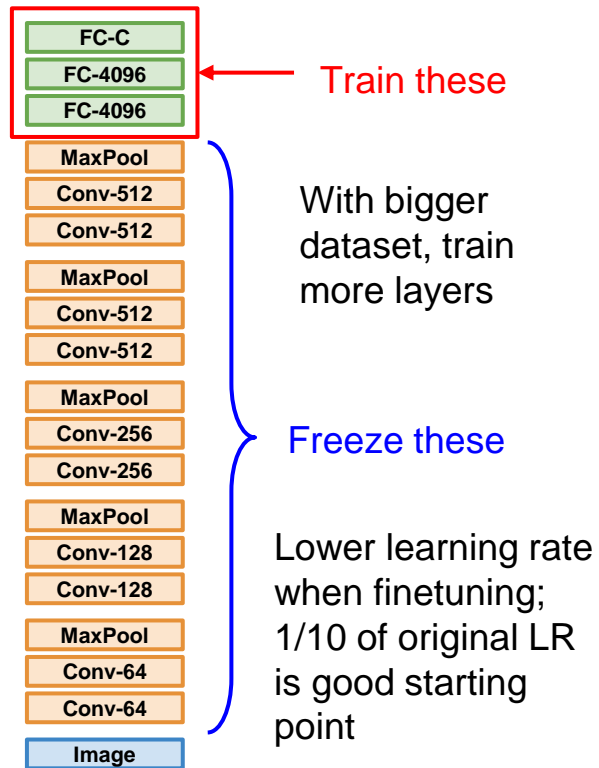
1. Train on Imagenet



2. Small Dataset (C classes)



3. Bigger dataset





More specific

More generic

	very similar dataset	very different dataset
very little data	?	?
quite a lot of data	?	?



More specific

More generic

	very similar dataset	very different dataset
very little data	Use Linear Classifier on top layer	?
quite a lot of data	Finetune a few layers	?



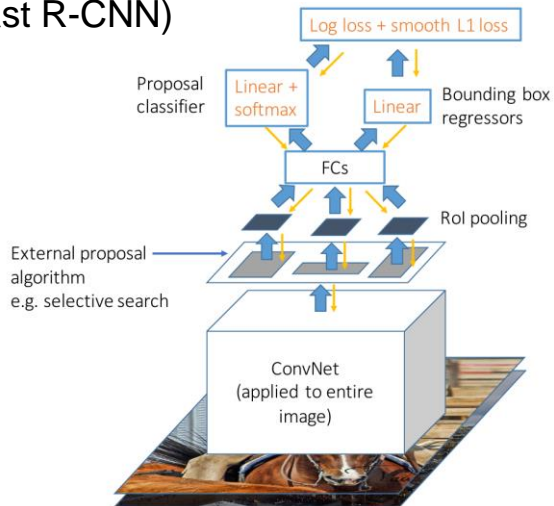
More specific

More generic

	very similar dataset	very different dataset
very little data	Use Linear Classifier on top layer	You're in trouble... Try linear classifier from different stages
quite a lot of data	Finetune a few layers	Finetune a larger number of layers or start from scratch!

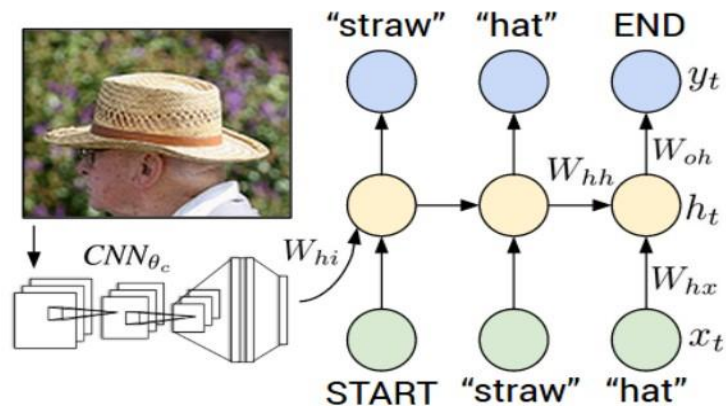
Transfer learning with CNNs is pervasive... (it's the norm, not an exception)

Object Detection (Fast R-CNN)



Girshick, "Fast R-CNN", ICCV 2015
Figure copyright Ross Girshick, 2015. Reproduced with permission.

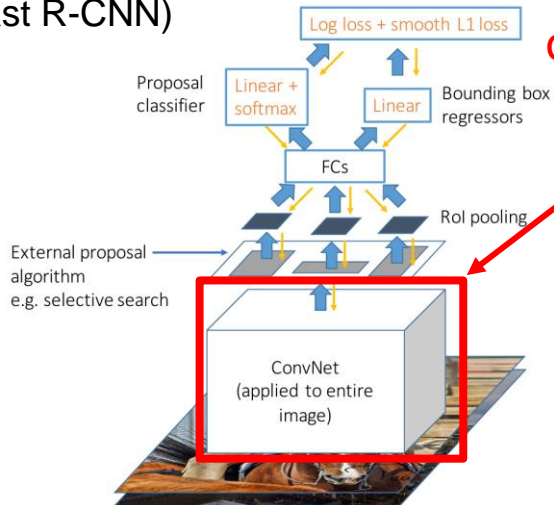
Image Captioning: CNN + RNN



Karpathy and Fei-Fei, "Deep Visual-Semantic Alignments for
Generating Image Descriptions", CVPR 2015
Figure copyright IEEE, 2015. Reproduced for educational purposes.

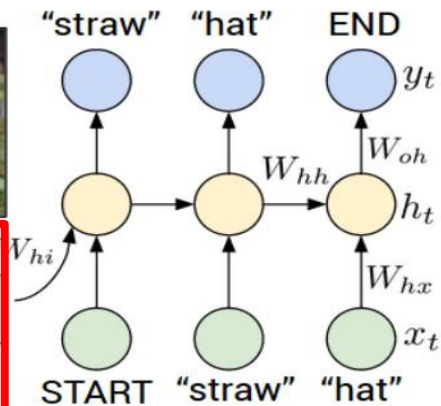
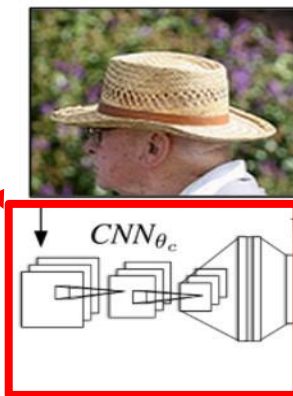
Transfer learning with CNNs is pervasive... (it's the norm, not an exception)

Object Detection
(Fast R-CNN)



CNN pretrained
on ImageNet

Image Captioning: CNN + RNN

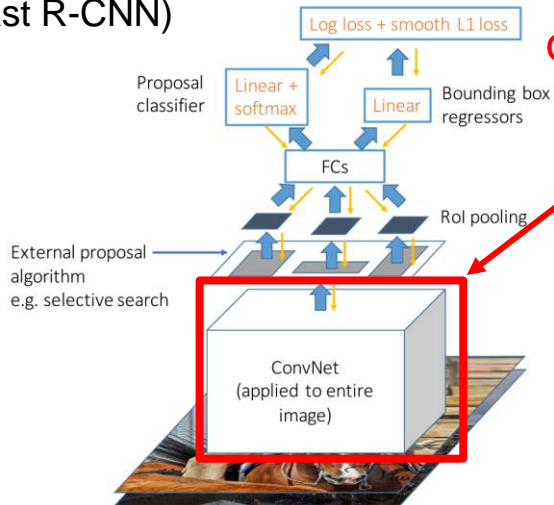


Girshick, "Fast R-CNN", ICCV 2015
Figure copyright Ross Girshick, 2015. Reproduced with permission.

Karpathy and Fei-Fei, "Deep Visual-Semantic Alignments for
Generating Image Descriptions", CVPR 2015
Figure copyright IEEE, 2015. Reproduced for educational purposes.

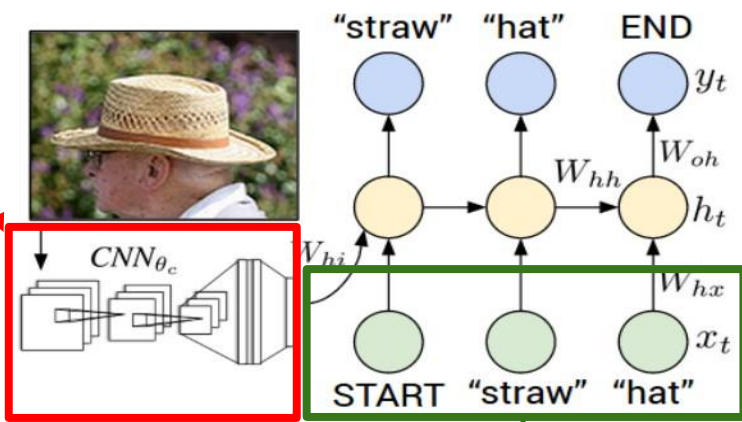
Transfer learning with CNNs is pervasive... (it's the norm, not an exception)

Object Detection
(Fast R-CNN)



CNN pretrained
on ImageNet

Image Captioning: CNN + RNN



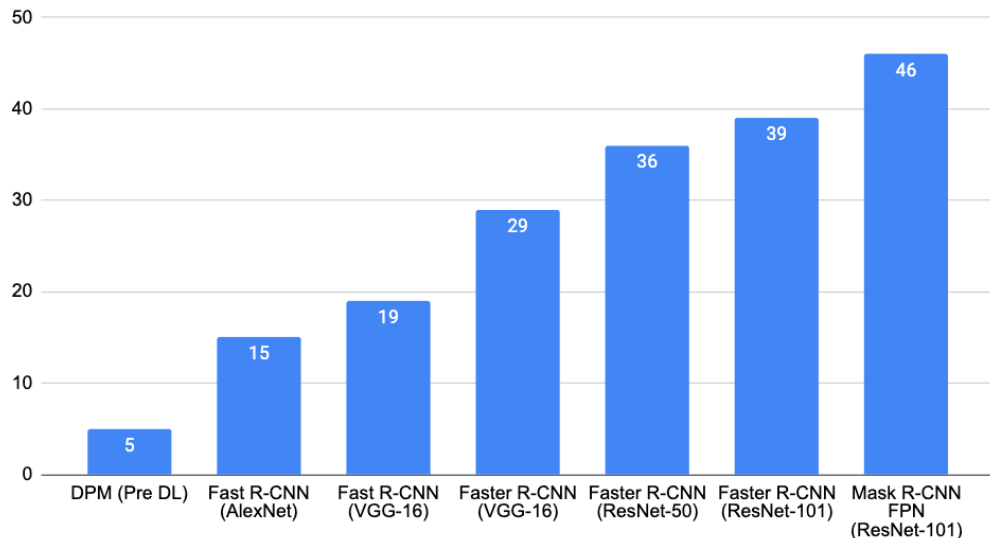
Word vectors pretrained
with word2vec

Girshick, "Fast R-CNN", ICCV 2015
Figure copyright Ross Girshick, 2015. Reproduced with permission.

Karpathy and Fei-Fei, "Deep Visual-Semantic Alignments for
Generating Image Descriptions", CVPR 2015
Figure copyright IEEE, 2015. Reproduced for educational purposes.

Transfer learning with CNNs - Architecture matters

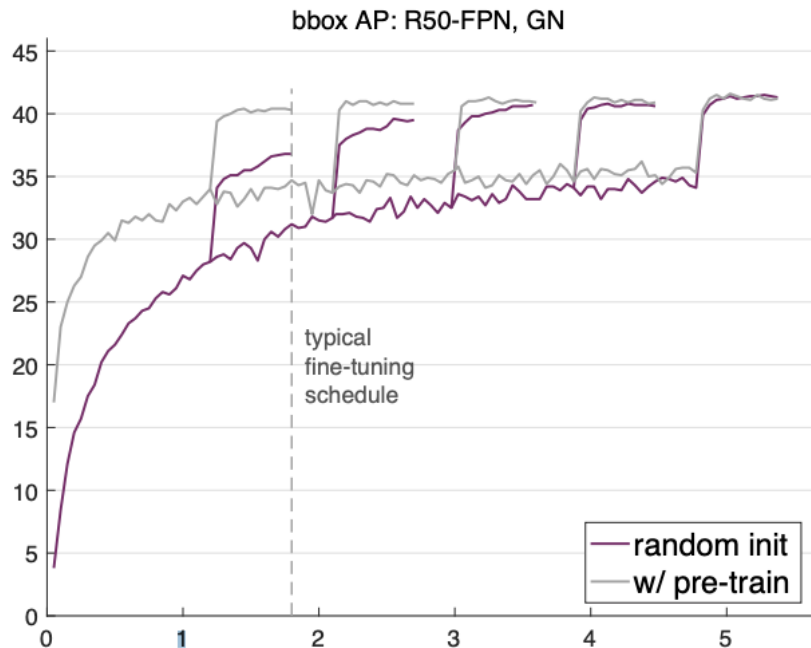
Object detection on MSCOCO



Girshick, "The Generalized R-CNN Framework for Object Detection", ICCV 2017 Tutorial on Instance-Level Visual Recognition

Transfer learning with CNNs is pervasive...

But it might not always be necessary!



He et al, "Rethinking ImageNet Pre-training", ICCV 2019
Figure copyright Kaiming He, 2019. Reproduced with permission.

Training from scratch can work just as well as training from a pretrained ImageNet model for object detection

But it takes 2-3x as long to train.

They also find that collecting more data is better than finetuning on a related task

Takeaway for your projects and beyond:

Have some dataset of interest but it has $< \sim 1\text{M}$ images?

1. Find a very large dataset that has similar data, train a big model there
2. Transfer learn to your dataset

Deep learning frameworks provide a “Model Zoo” of pretrained models so you don’t need to train your own

TensorFlow: <https://github.com/tensorflow/models>

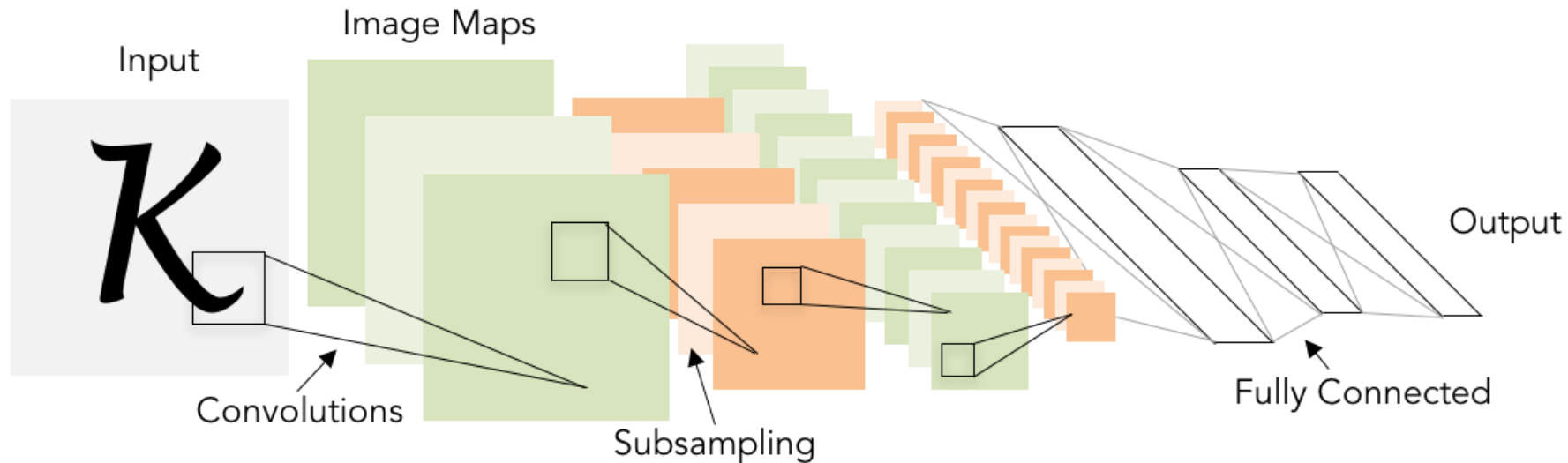
PyTorch: <https://github.com/pytorch/vision>

Next time: Training Neural Networks

Appendix – Slides from Previous Years of the Course

Review: LeNet-5

[LeCun et al., 1998]

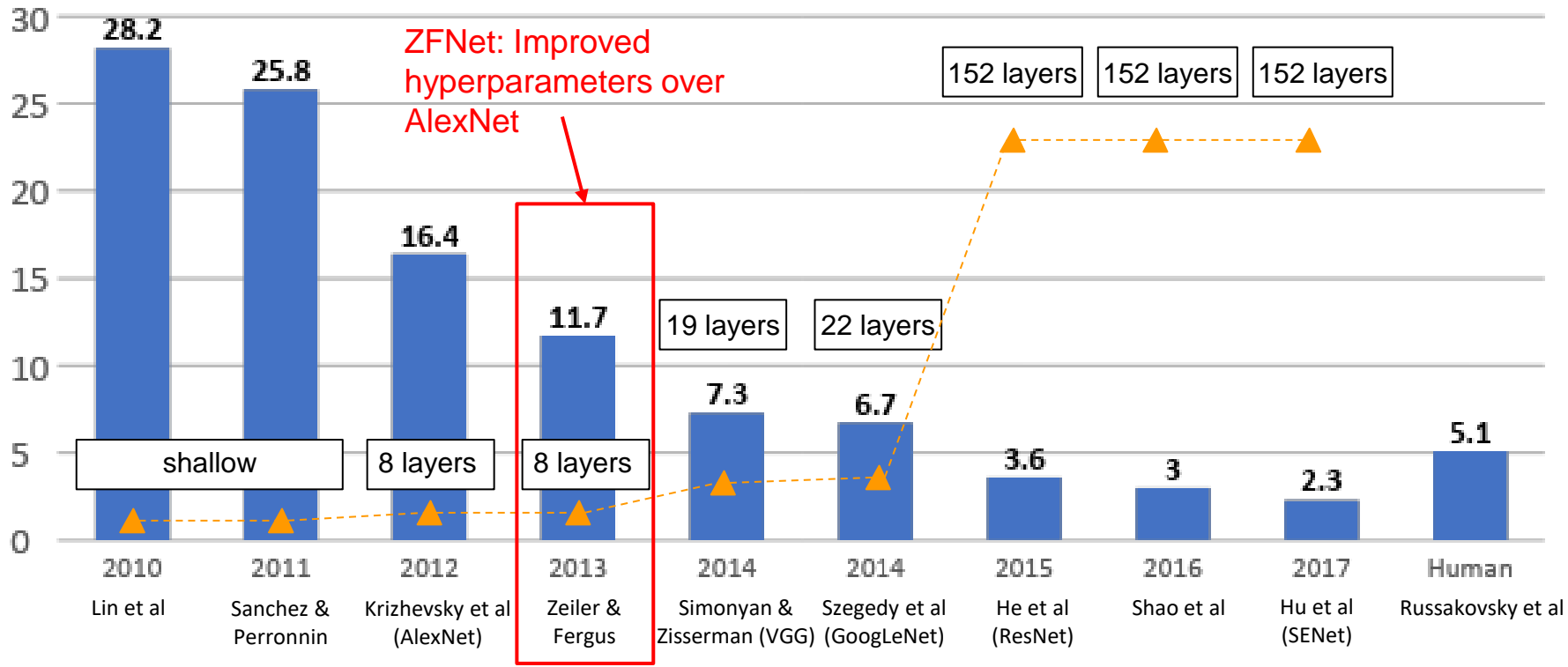


Conv filters were 5x5, applied at stride 1

Subsampling (Pooling) layers were 2x2 applied at stride 2

i.e. architecture is [CONV-POOL-CONV-POOL-FC-FC]

ImageNet Large Scale Visual Recognition Challenge (ILSVRC) winners



Case Study: AlexNet

[Krizhevsky et al. 2012]

Full (simplified) AlexNet architecture:

[227x227x3] INPUT

[55x55x96] CONV1: 96 11x11 filters at stride 4, pad 0

[27x27x96] MAX POOL1: 3x3 filters at stride 2

[27x27x96] NORM1: Normalization layer

[27x27x256] CONV2: 256 5x5 filters at stride 1, pad 2

[13x13x256] MAX POOL2: 3x3 filters at stride 2

[13x13x256] NORM2: Normalization layer

[13x13x384] CONV3: 384 3x3 filters at stride 1, pad 1

[13x13x384] CONV4: 384 3x3 filters at stride 1, pad 1

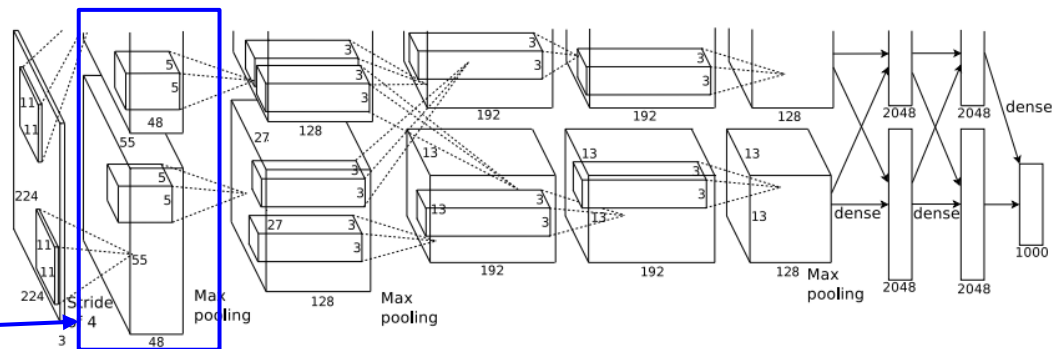
[13x13x256] CONV5: 256 3x3 filters at stride 1, pad 1

[6x6x256] MAX POOL3: 3x3 filters at stride 2

[4096] FC6: 4096 neurons

[4096] FC7: 4096 neurons

[1000] FC8: 1000 neurons (class scores)



[55x55x48] x 2

Historical note: Trained on GTX 580 GPU with only 3 GB of memory. Network spread across 2 GPUs, half the neurons (feature maps) on each GPU.

Figure copyright Alex Krizhevsky, Ilya Sutskever, and Geoffrey Hinton, 2012. Reproduced with permission.

Case Study: AlexNet

[Krizhevsky et al. 2012]

Full (simplified) AlexNet architecture:

[227x227x3] INPUT

[55x55x96] **CONV1**: 96 11x11 filters at stride 4, pad 0

[27x27x96] **MAX POOL1**: 3x3 filters at stride 2

[27x27x96] **NORM1**: Normalization layer

[27x27x256] **CONV2**: 256 5x5 filters at stride 1, pad 2

[13x13x256] **MAX POOL2**: 3x3 filters at stride 2

[13x13x256] **NORM2**: Normalization layer

[13x13x384] **CONV3**: 384 3x3 filters at stride 1, pad 1

[13x13x384] **CONV4**: 384 3x3 filters at stride 1, pad 1

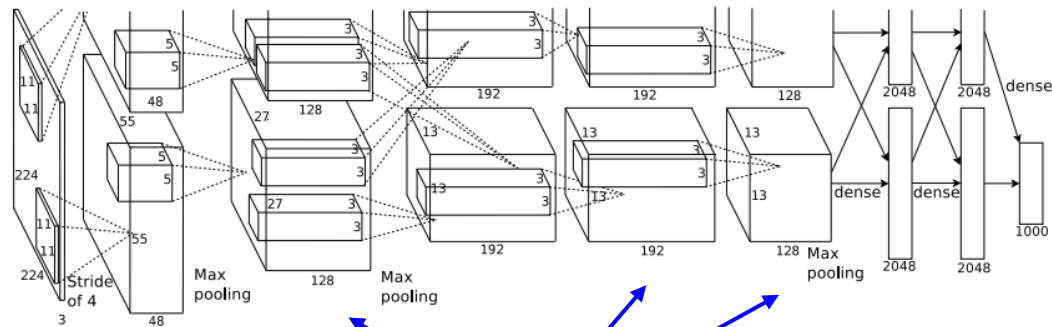
[13x13x256] **CONV5**: 256 3x3 filters at stride 1, pad 1

[6x6x256] **MAX POOL3**: 3x3 filters at stride 2

[4096] **FC6**: 4096 neurons

[4096] **FC7**: 4096 neurons

[1000] **FC8**: 1000 neurons (class scores)



CONV1, CONV2, CONV4, CONV5:
Connections only with feature maps
on same GPU

Figure copyright Alex Krizhevsky, Ilya Sutskever, and Geoffrey Hinton, 2012. Reproduced with permission.

Case Study: AlexNet

[Krizhevsky et al. 2012]

Full (simplified) AlexNet architecture:

[227x227x3] INPUT

[55x55x96] **CONV1**: 96 11x11 filters at stride 4, pad 0

[27x27x96] **MAX POOL1**: 3x3 filters at stride 2

[27x27x96] **NORM1**: Normalization layer

[27x27x256] **CONV2**: 256 5x5 filters at stride 1, pad 2

[13x13x256] **MAX POOL2**: 3x3 filters at stride 2

[13x13x256] **NORM2**: Normalization layer

[13x13x384] **CONV3**: 384 3x3 filters at stride 1, pad 1

[13x13x384] **CONV4**: 384 3x3 filters at stride 1, pad 1

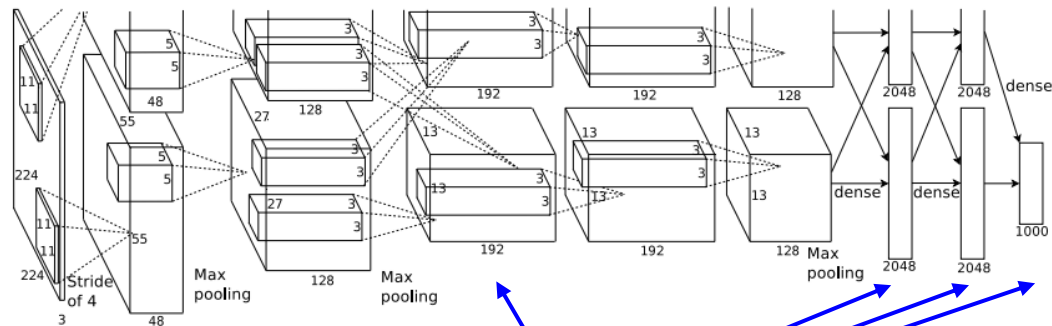
[13x13x256] **CONV5**: 256 3x3 filters at stride 1, pad 1

[6x6x256] **MAX POOL3**: 3x3 filters at stride 2

[4096] **FC6**: 4096 neurons

[4096] **FC7**: 4096 neurons

[1000] **FC8**: 1000 neurons (class scores)



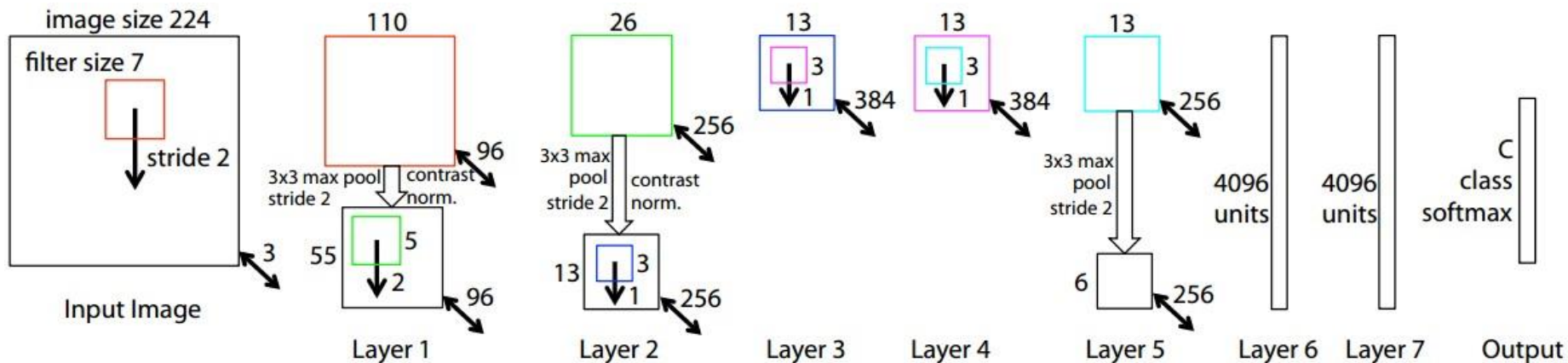
CONV3, FC6, FC7, FC8:

Connections with all feature maps in preceding layer, communication across GPUs

Figure copyright Alex Krizhevsky, Ilya Sutskever, and Geoffrey Hinton, 2012. Reproduced with permission.

ZFNet

[Zeiler and Fergus, 2013]



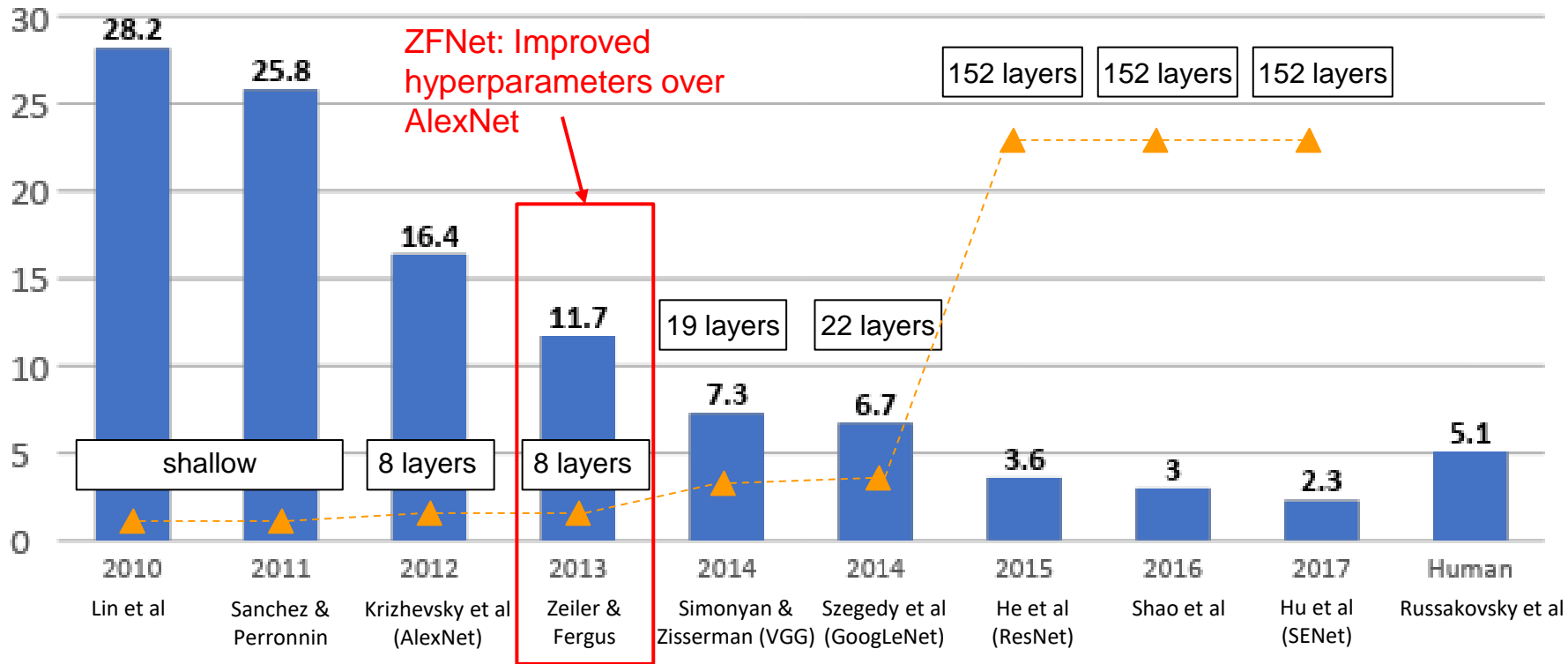
AlexNet but:

CONV1: change from (11x11 stride 4) to (7x7 stride 2)

CONV3,4,5: instead of 384, 384, 256 filters use 512, 1024, 512

ImageNet top 5 error: 16.4% -> 11.7%

ImageNet Large Scale Visual Recognition Challenge (ILSVRC) winners

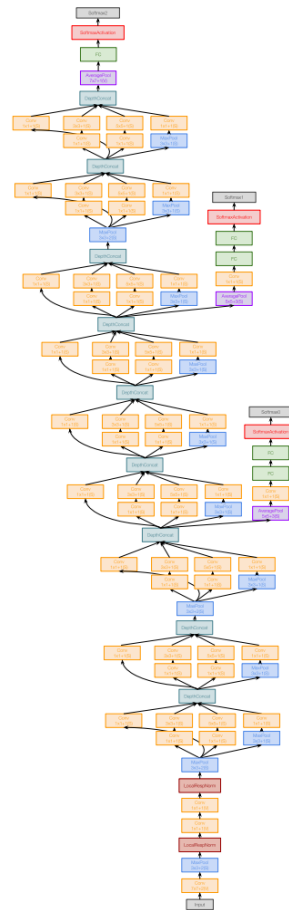
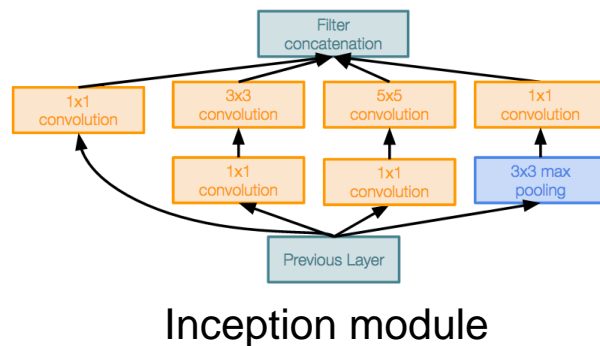


Case Study: GoogLeNet

[Szegedy et al., 2014]

Deeper networks, with computational efficiency

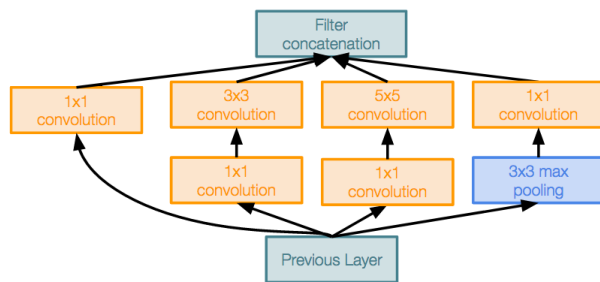
- ILSVRC'14 classification winner (6.7% top 5 error)
- 22 layers
- Only 5 million parameters!
12x less than AlexNet
27x less than VGG-16
- Efficient “Inception” module
- No FC layers



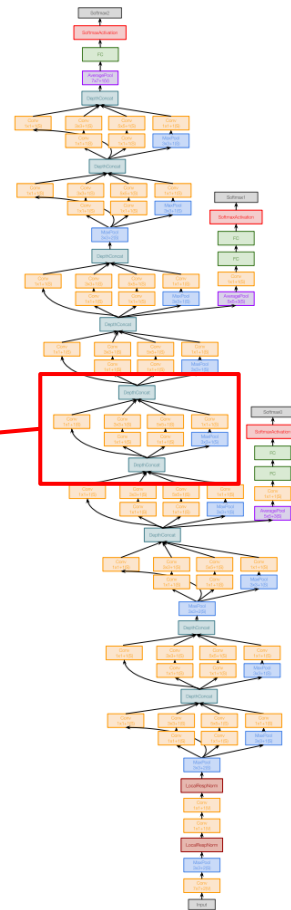
Case Study: GoogLeNet

[Szegedy et al., 2014]

“Inception module”: design a good local network topology (network within a network) and then stack these modules on top of each other

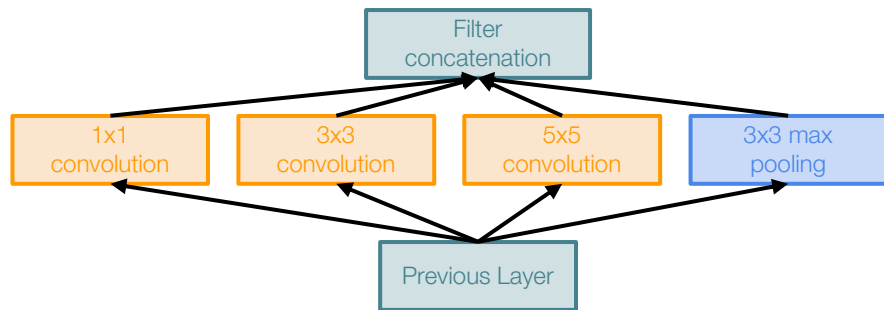


Inception module



Case Study: GoogLeNet

[Szegedy et al., 2014]



Naive Inception module

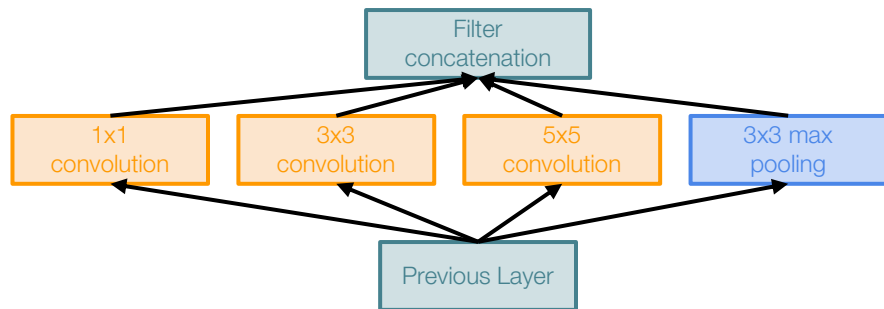
Apply parallel filter operations on the input from previous layer:

- Multiple receptive field sizes for convolution (1x1, 3x3, 5x5)
- Pooling operation (3x3)

Concatenate all filter outputs together channel-wise

Case Study: GoogLeNet

[Szegedy et al., 2014]



Naive Inception module

Apply parallel filter operations on the input from previous layer:

- Multiple receptive field sizes for convolution (1x1, 3x3, 5x5)
- Pooling operation (3x3)

Concatenate all filter outputs together channel-wise

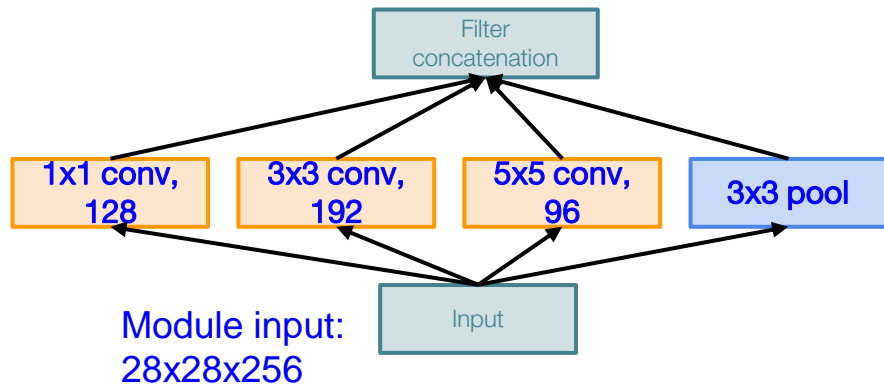
Q: What is the problem with this?
[Hint: Computational complexity]

Case Study: GoogLeNet

[Szegedy et al., 2014]

Q: What is the problem with this?
[Hint: Computational complexity]

Example:



Naive Inception module

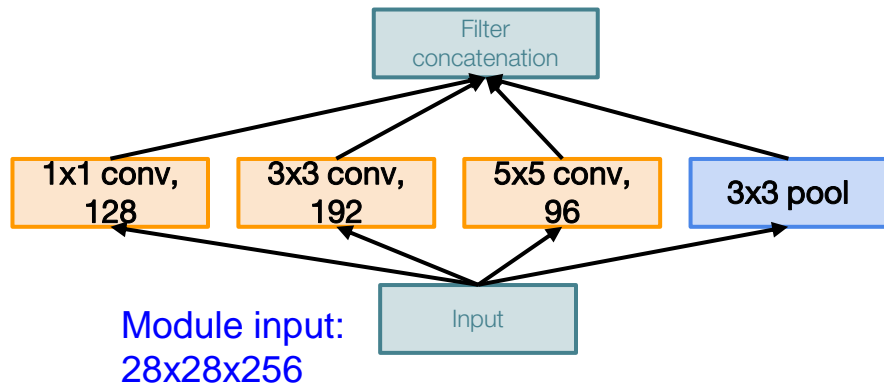
Case Study: GoogLeNet

[Szegedy et al., 2014]

Q: What is the problem with this?
[Hint: Computational complexity]

Example:

Q1: What are the output sizes of all different filter operations?



Naive Inception module

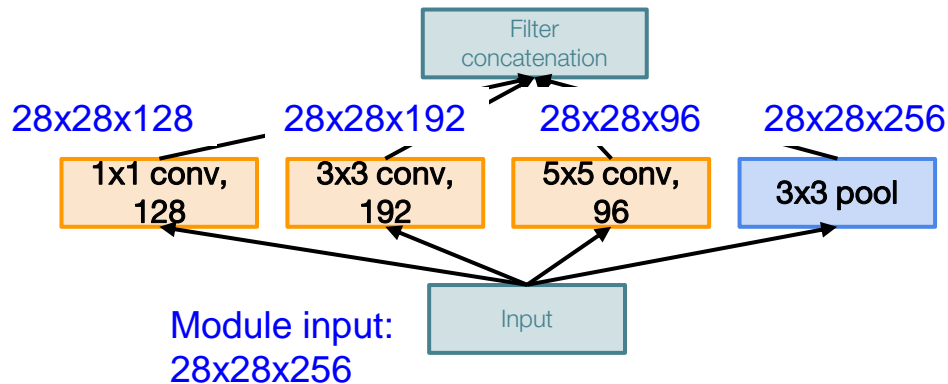
Case Study: GoogLeNet

[Szegedy et al., 2014]

Q: What is the problem with this?
[Hint: Computational complexity]

Example:

Q1: What are the output sizes of all different filter operations?



Naive Inception module

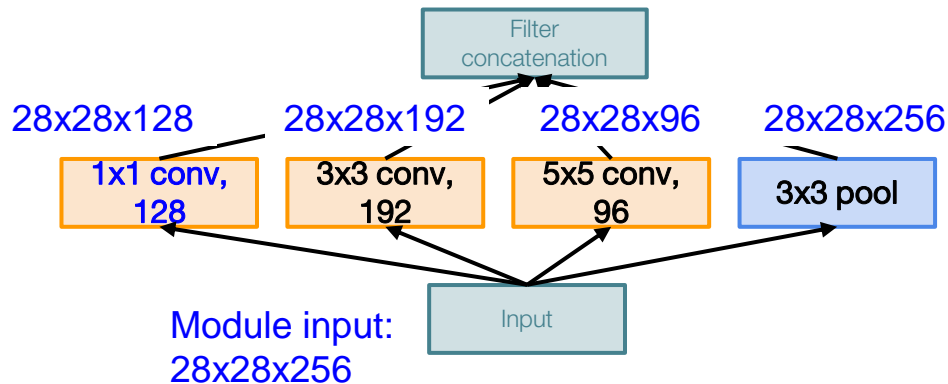
Case Study: GoogLeNet

[Szegedy et al., 2014]

Q: What is the problem with this?
[Hint: Computational complexity]

Example:

Q2: What is output size after
filter concatenation?



Naive Inception module

Case Study: GoogLeNet

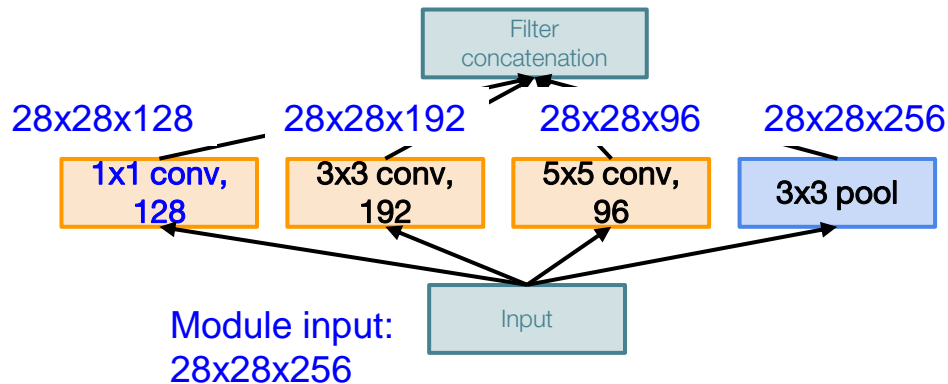
[Szegedy et al., 2014]

Q: What is the problem with this?
[Hint: Computational complexity]

Example:

Q2: What is output size after
filter concatenation?

$$28 \times 28 \times (128 + 192 + 96 + 256) = 28 \times 28 \times 672$$



Naive Inception module

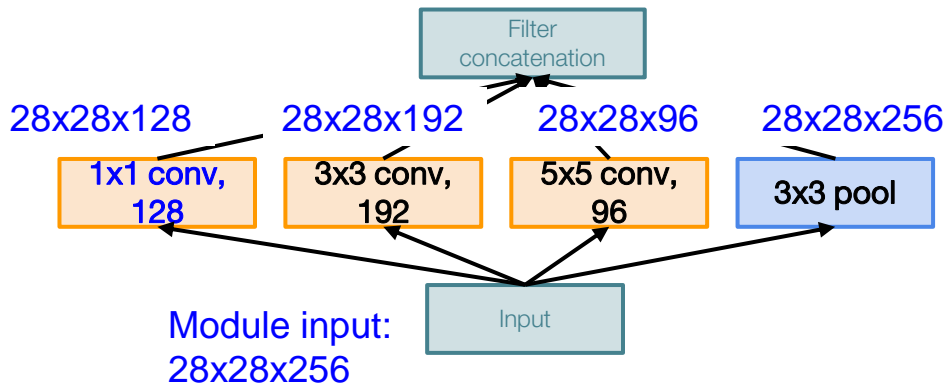
Case Study: GoogLeNet

[Szegedy et al., 2014]

Example:

Q2: What is output size after filter concatenation?

$$28 \times 28 \times (128 + 192 + 96 + 256) = 28 \times 28 \times 672$$



Naive Inception module

Q: What is the problem with this?
[Hint: Computational complexity]

Conv Ops:

[1x1 conv, 128] $28 \times 28 \times 128 \times 1 \times 1 \times 256$

[3x3 conv, 192]

$28 \times 28 \times 192 \times 3 \times 3 \times 256$

[5x5 conv, 96] $28 \times 28 \times 96 \times 5 \times 5 \times 256$

Total: 854M ops

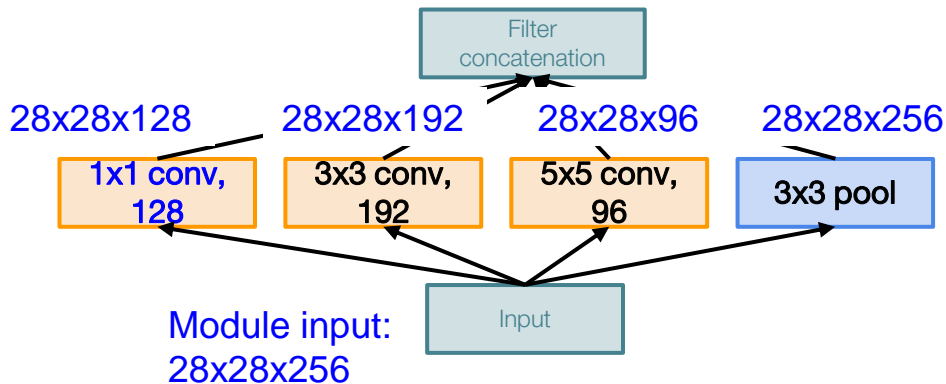
Case Study: GoogLeNet

[Szegedy et al., 2014]

Example:

Q2: What is output size after filter concatenation?

$$28 \times 28 \times (128 + 192 + 96 + 256) = 28 \times 28 \times 672$$



Naive Inception module

Q: What is the problem with this?
[Hint: Computational complexity]

Conv Ops:

[1x1 conv, 128] $28 \times 28 \times 128 \times 1 \times 1 \times 256$

[3x3 conv, 192]

$28 \times 28 \times 192 \times 3 \times 3 \times 256$

[5x5 conv, 96] $28 \times 28 \times 96 \times 5 \times 5 \times 256$

Total: 854M ops

Very expensive compute

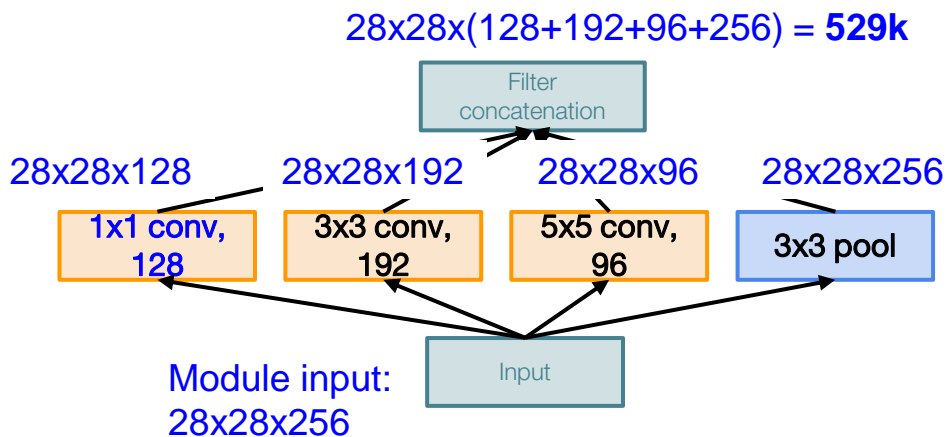
Pooling layer also preserves feature depth, which means total depth after concatenation can only grow at every layer!

Case Study: GoogLeNet

[Szegedy et al., 2014]

Example:

Q2: What is output size after filter concatenation?

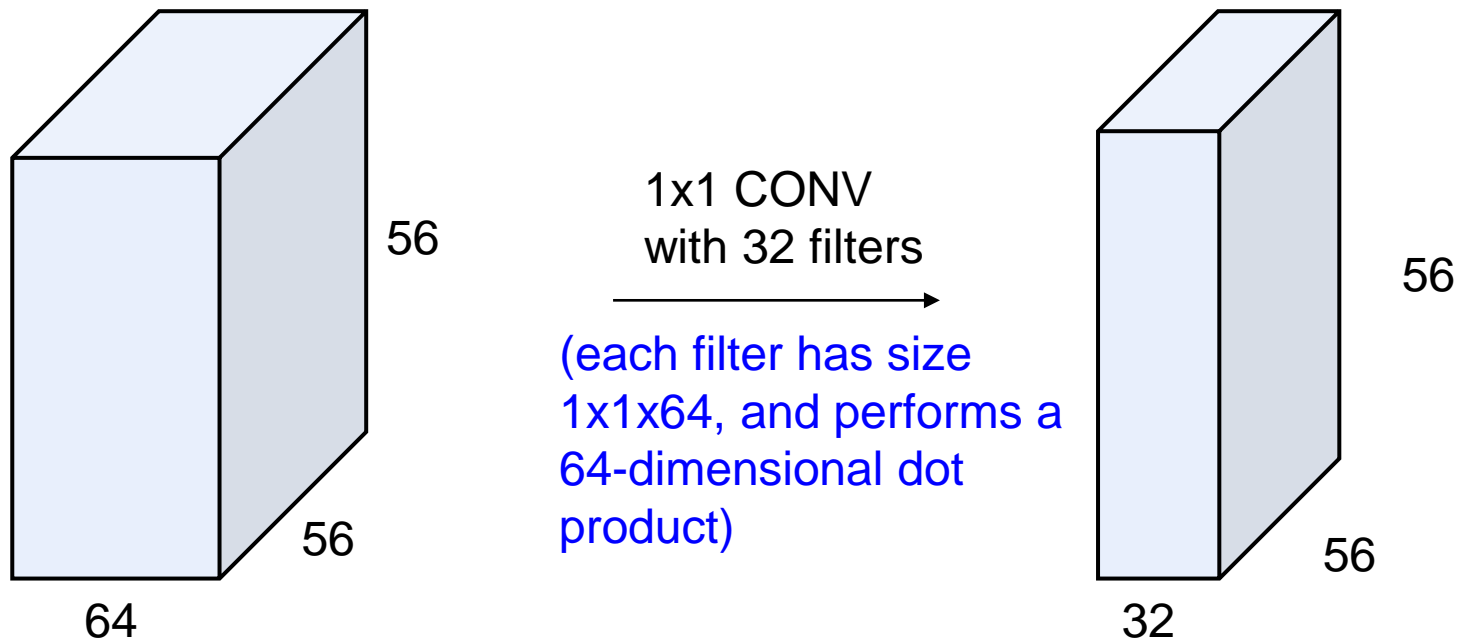


Naive Inception module

Q: What is the problem with this?
[Hint: Computational complexity]

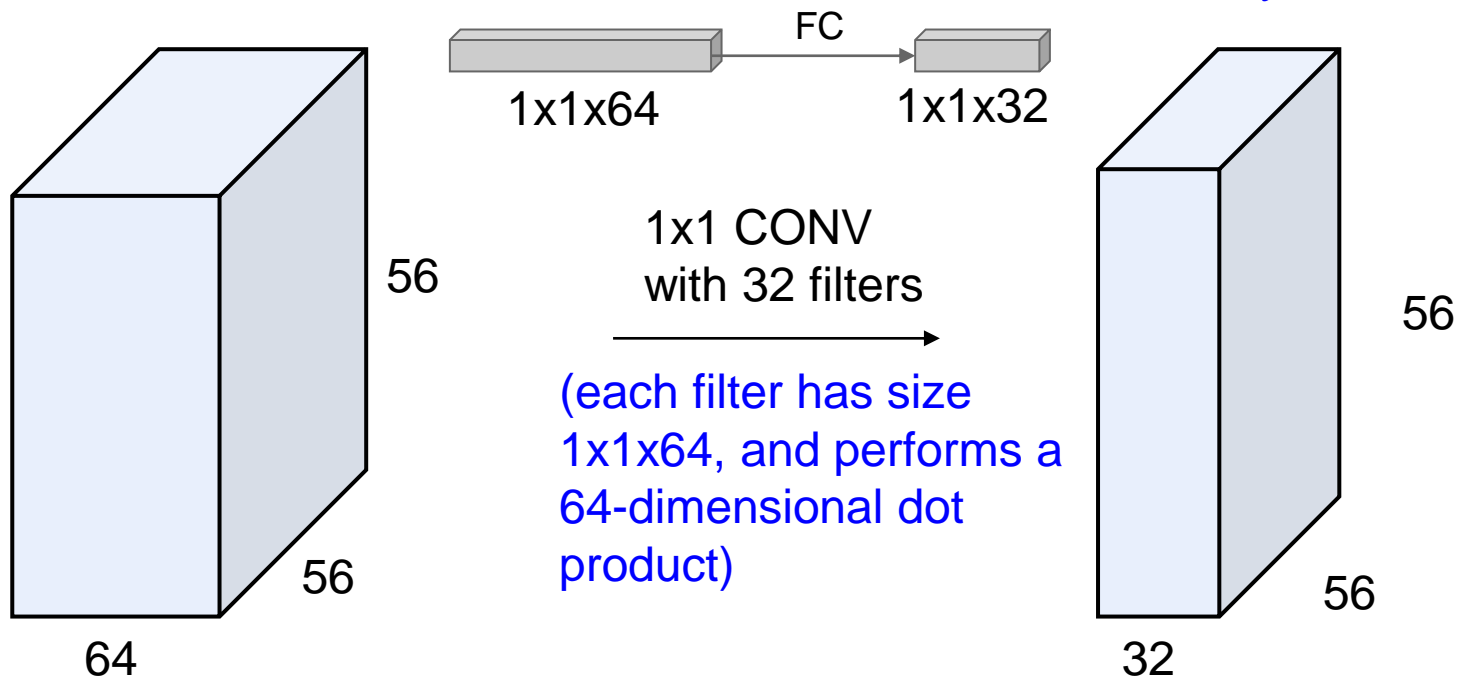
Solution: “bottleneck” layers that use 1x1 convolutions to reduce feature channel size

Review: 1x1 convolutions



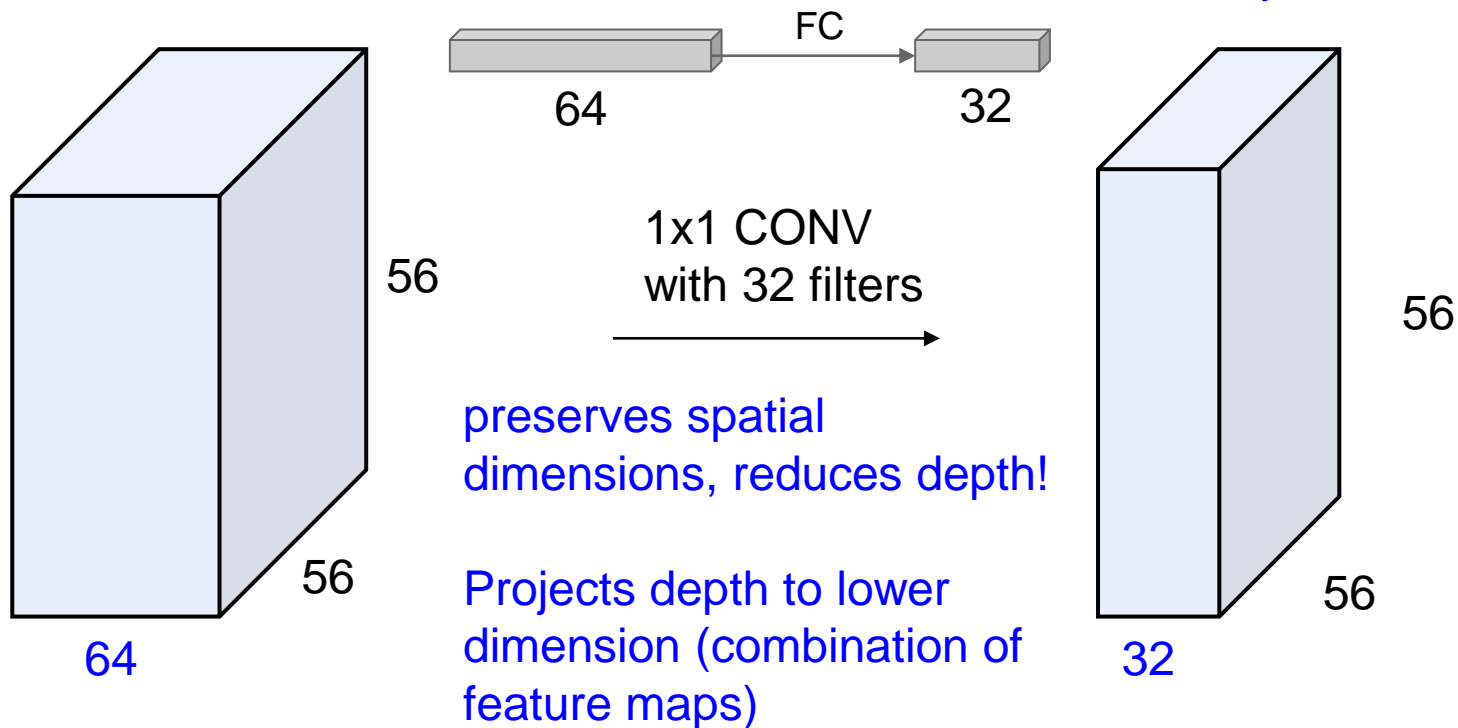
Review: 1x1 convolutions

Alternatively, interpret it as applying the same FC layer on each input pixel



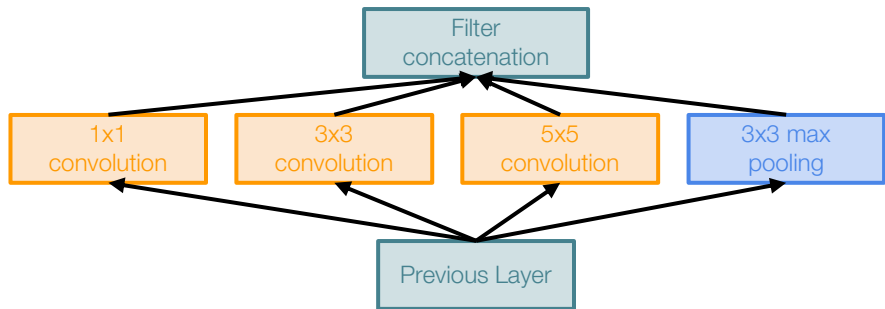
Review: 1x1 convolutions

Alternatively, interpret it as applying the same FC layer on each input pixel

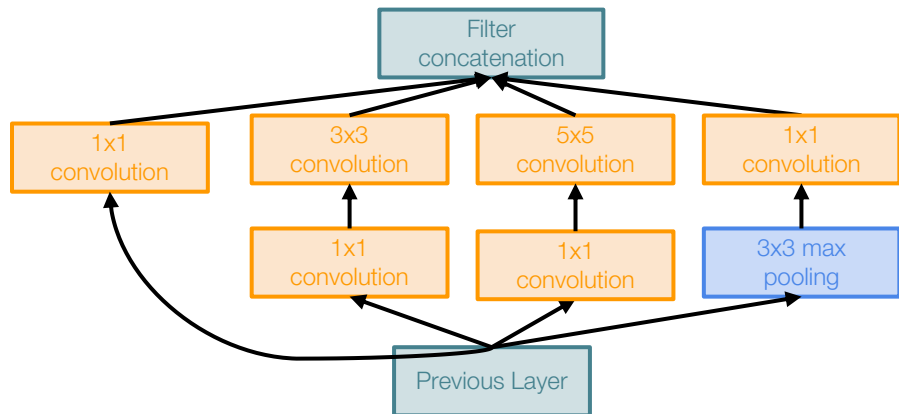


Case Study: GoogLeNet

[Szegedy et al., 2014]



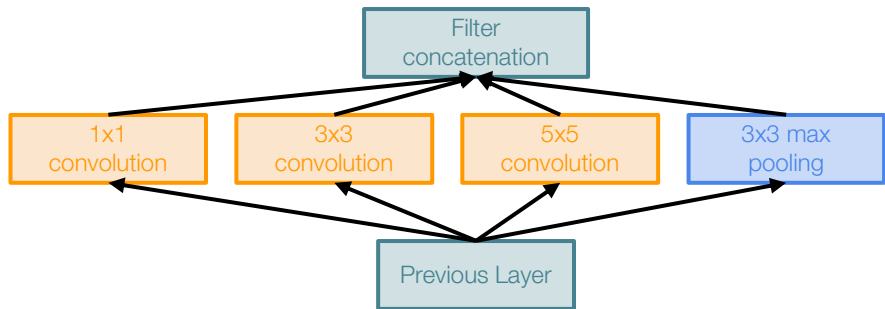
Naive Inception module



Inception module with dimension reduction

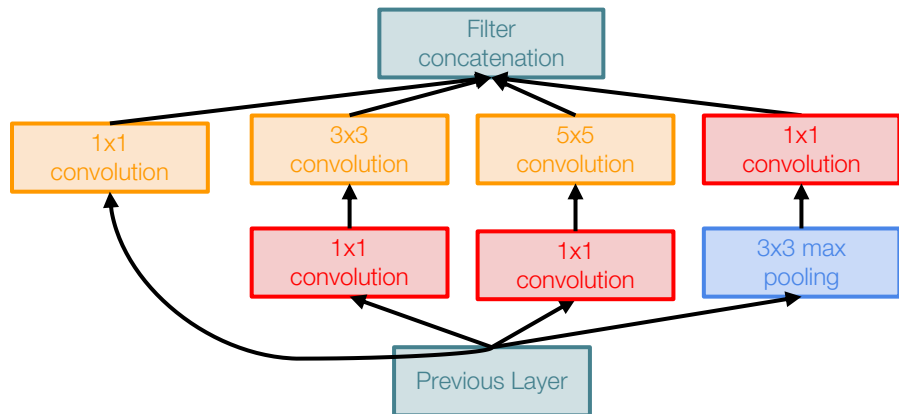
Case Study: GoogLeNet

[Szegedy et al., 2014]



Naive Inception module

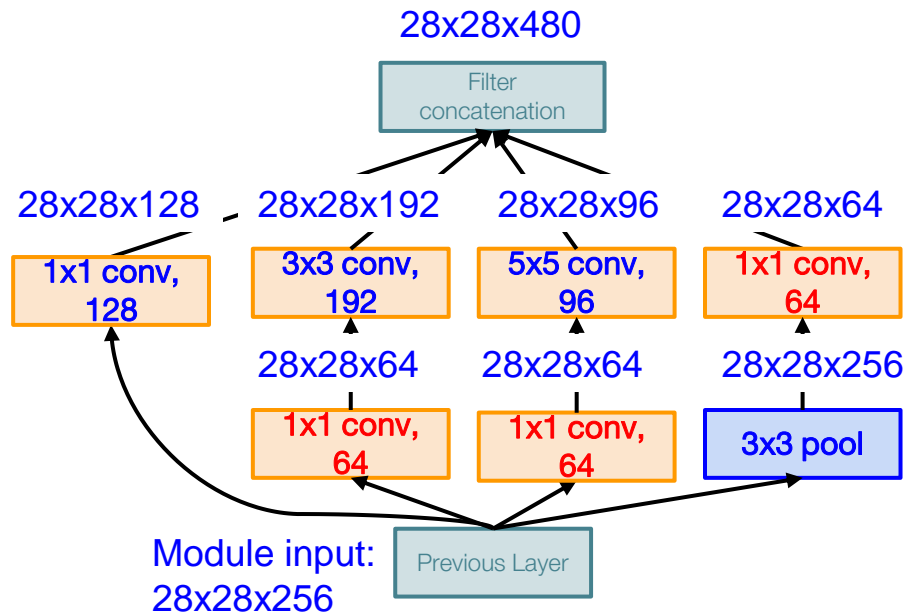
1x1 conv “bottleneck”
layers



Inception module with dimension reduction

Case Study: GoogLeNet

[Szegedy et al., 2014]



Inception module with dimension reduction

Using same parallel layers as naive example, and adding “1x1 conv, 64 filter” bottlenecks:

Conv Ops:

[1x1 conv, 64] 28x28x64x1x1x256
[1x1 conv, 64] 28x28x64x1x1x256
[1x1 conv, 128] 28x28x128x1x1x256
[3x3 conv, 192] 28x28x192x3x3x64
[5x5 conv, 96] 28x28x96x5x5x64
[1x1 conv, 64] 28x28x64x1x1x256

Total: 358M ops

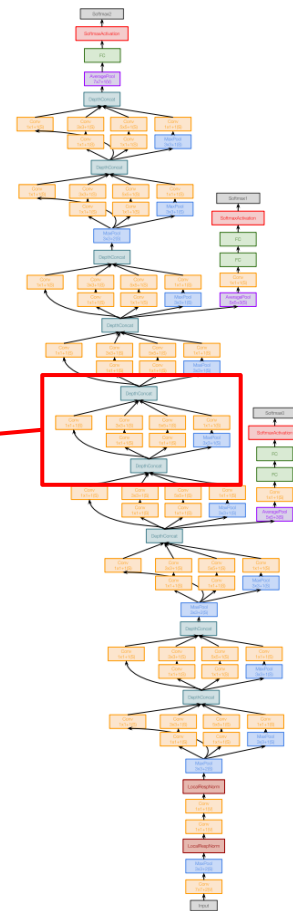
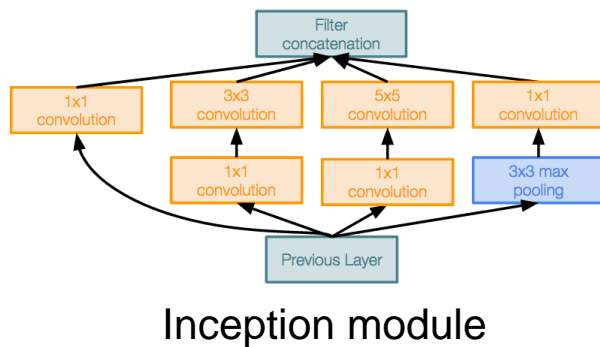
Compared to 854M ops for naive version

Bottleneck can also reduce depth after pooling layer

Case Study: GoogLeNet

[Szegedy et al., 2014]

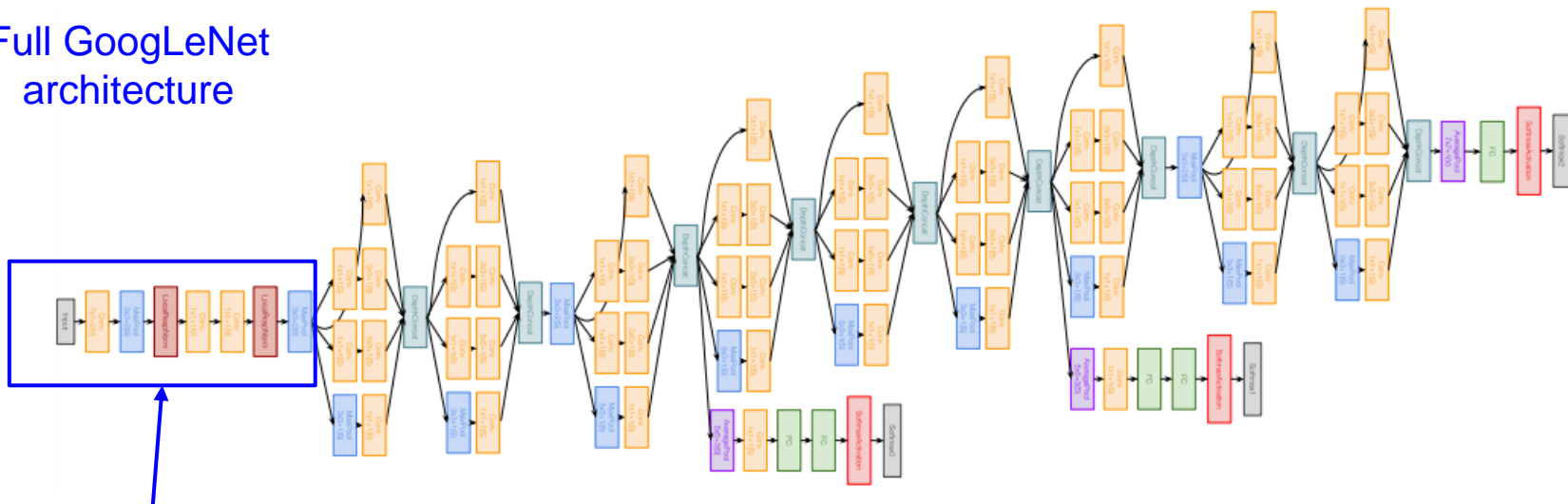
Stack Inception modules with dimension reduction on top of each other



Case Study: GoogLeNet

[Szegedy et al., 2014]

Full GoogLeNet
architecture

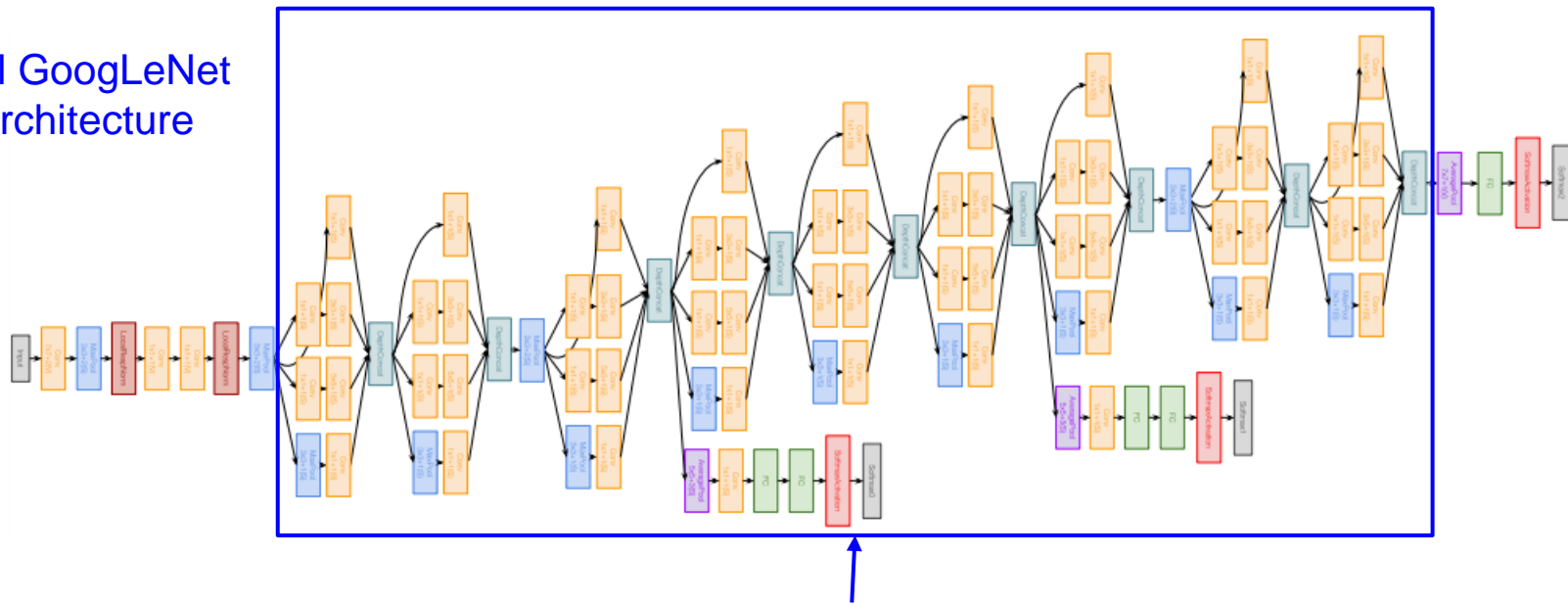


Stem Network:
Conv-Pool-
2x Conv-Pool

Case Study: GoogLeNet

[Szegedy et al., 2014]

Full GoogLeNet
architecture

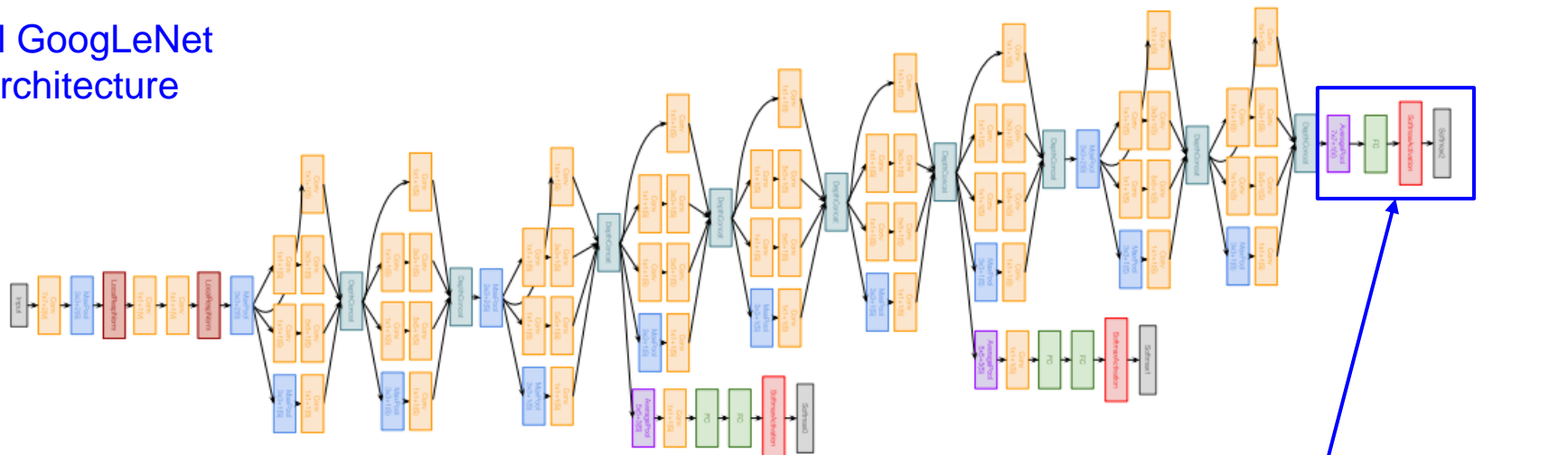


Stacked Inception
Modules

Case Study: GoogLeNet

[Szegedy et al., 2014]

Full GoogLeNet architecture



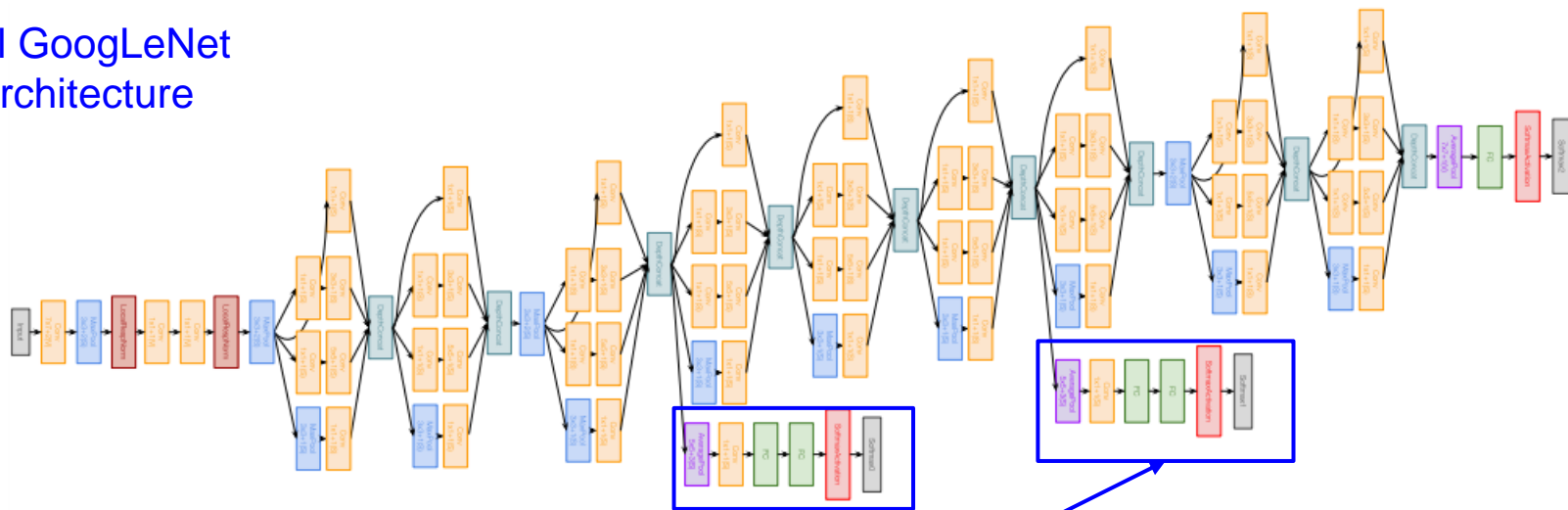
Note: after the last convolutional layer, a global average pooling layer is used that spatially averages across each feature map, before final FC layer. No longer multiple expensive FC layers!

Classifier output

Case Study: GoogLeNet

[Szegedy et al., 2014]

Full GoogLeNet
architecture



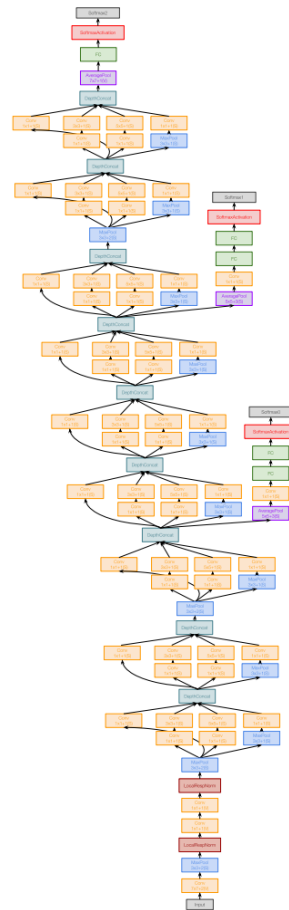
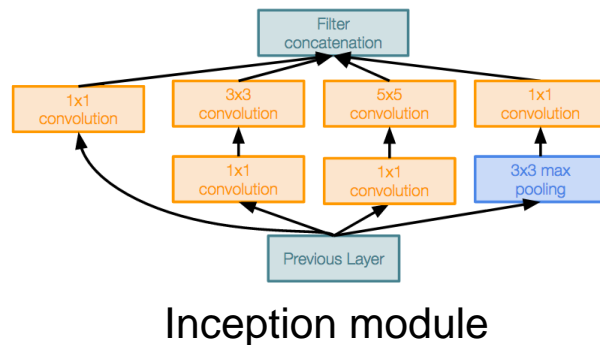
Auxiliary classification outputs to inject additional gradient at lower layers (AvgPool-1x1Conv-FC-FC-Softmax)

Case Study: GoogLeNet

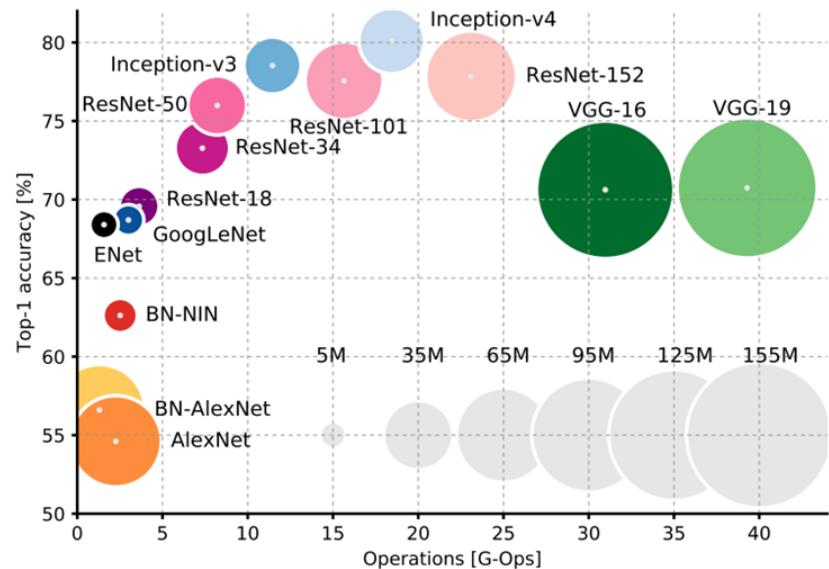
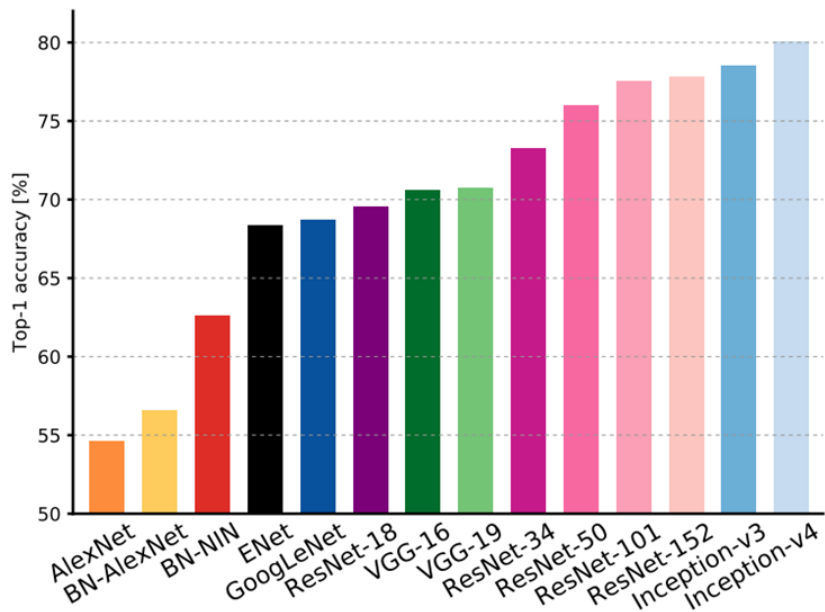
[Szegedy et al., 2014]

Deeper networks, with computational efficiency

- 22 layers
- Efficient “Inception” module
- Avoids expensive FC layers
- 12x less params than AlexNet
- 27x less params than VGG-16
- ILSVRC’14 classification winner (6.7% top 5 error)



Comparing complexity...

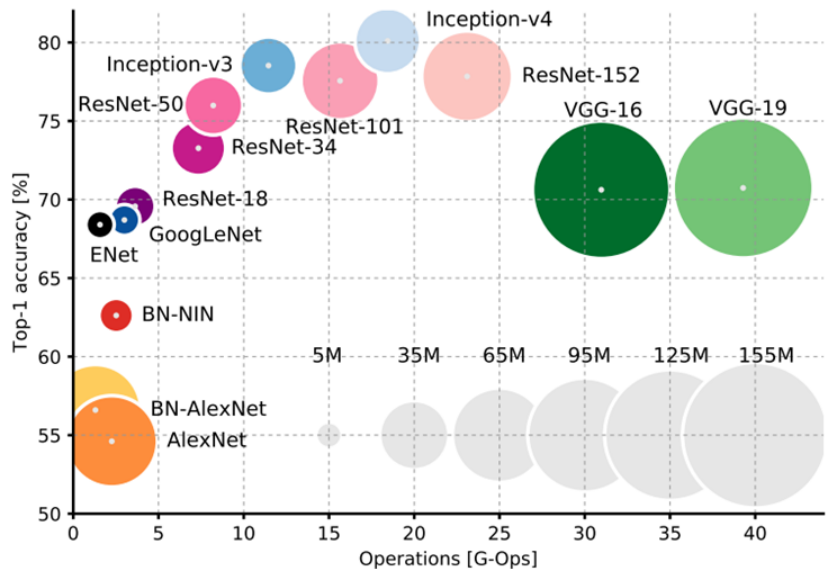
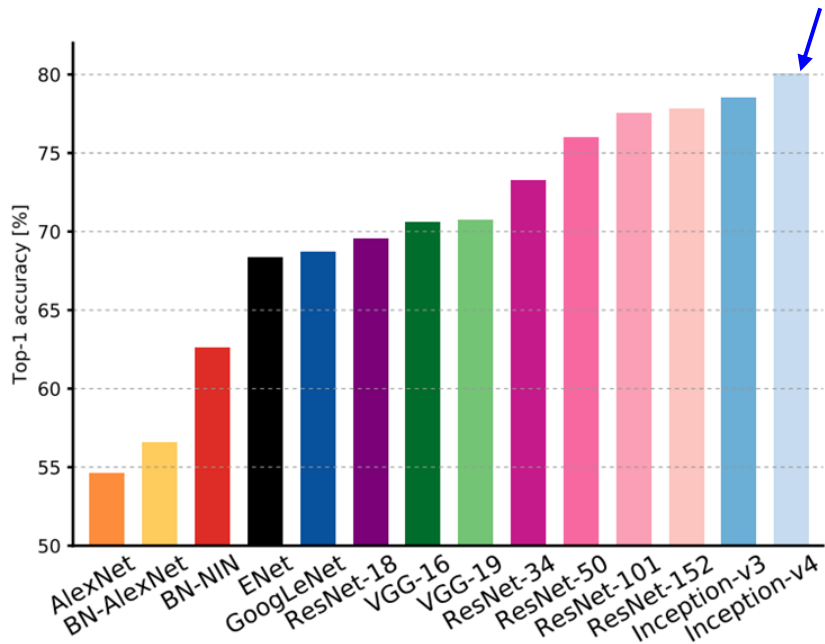


An Analysis of Deep Neural Network Models for Practical Applications, 2017.

Figures copyright Alfredo Canziani, Adam Paszke, Eugenio Culurciello, 2017. Reproduced with permission.

Comparing complexity...

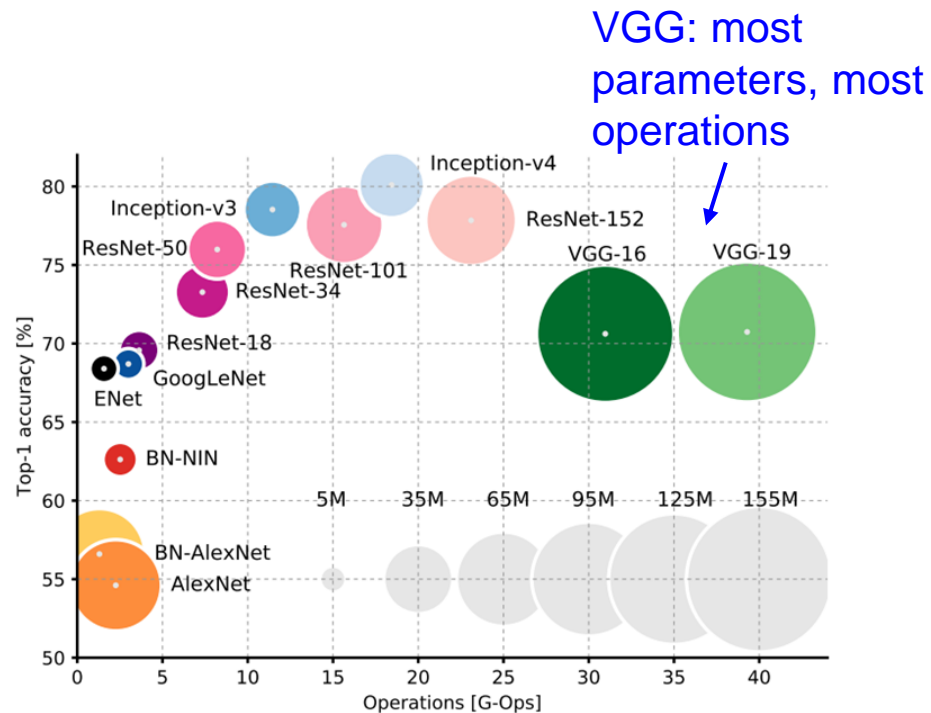
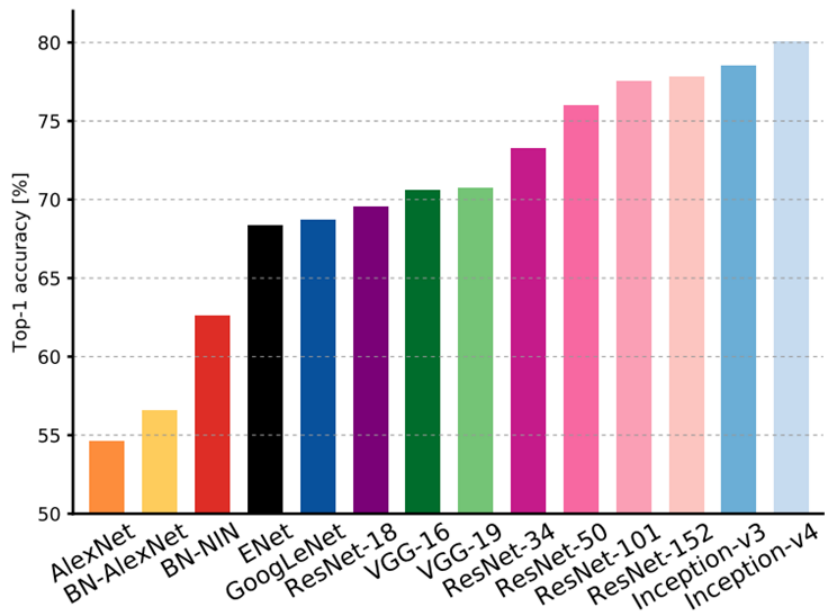
Inception-v4: Resnet + Inception!



An Analysis of Deep Neural Network Models for Practical Applications, 2017.

Figures copyright Alfredo Canziani, Adam Paszke, Eugenio Culurciello, 2017. Reproduced with permission.

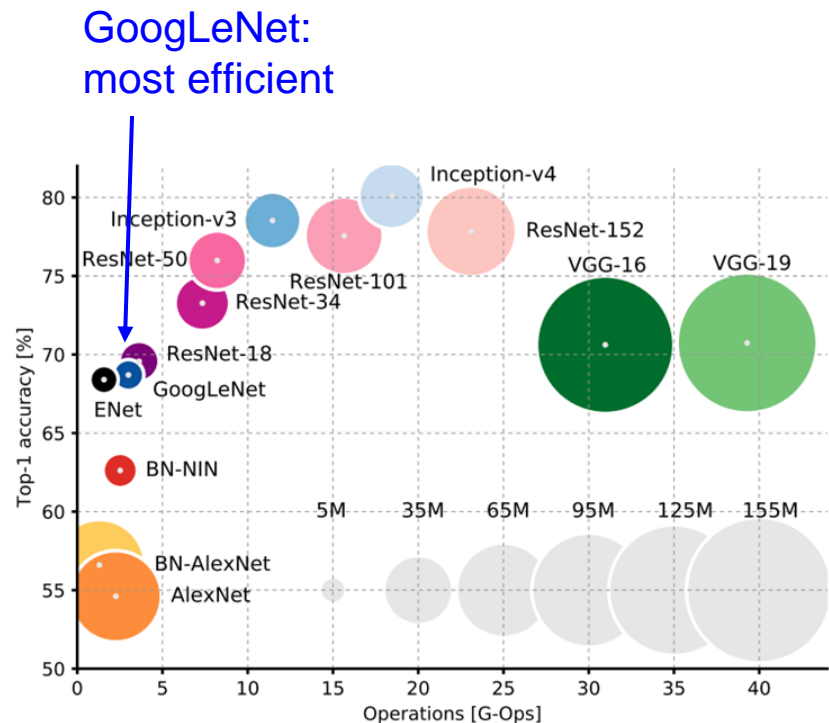
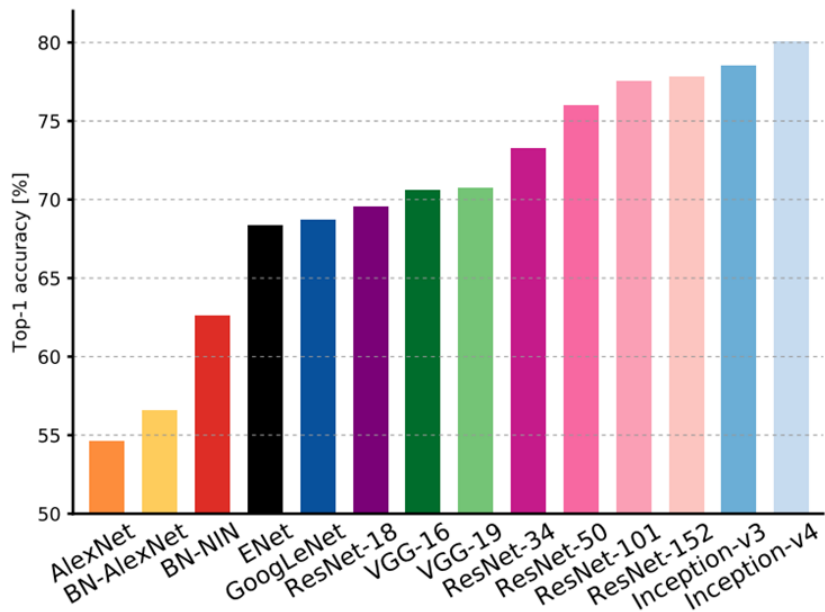
Comparing complexity...



An Analysis of Deep Neural Network Models for Practical Applications, 2017.

Figures copyright Alfredo Canziani, Adam Paszke, Eugenio Culurciello, 2017. Reproduced with permission.

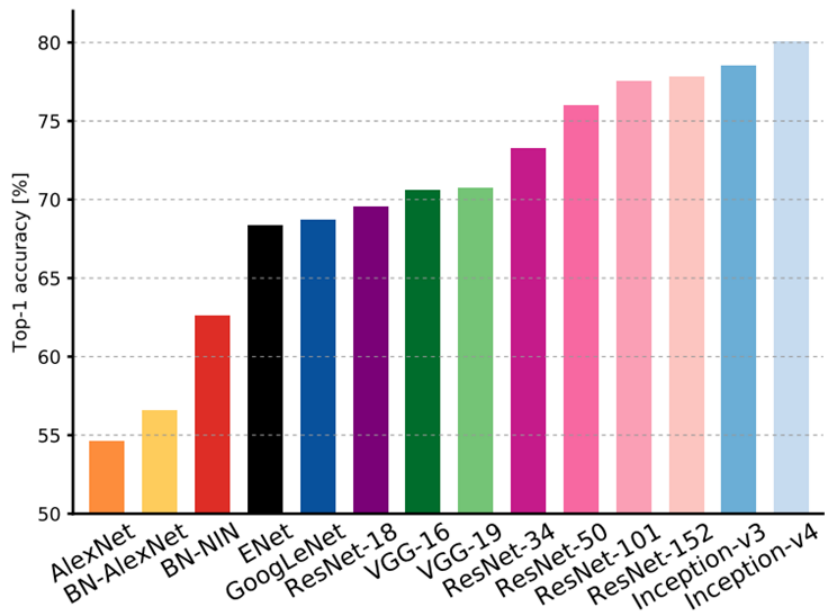
Comparing complexity...



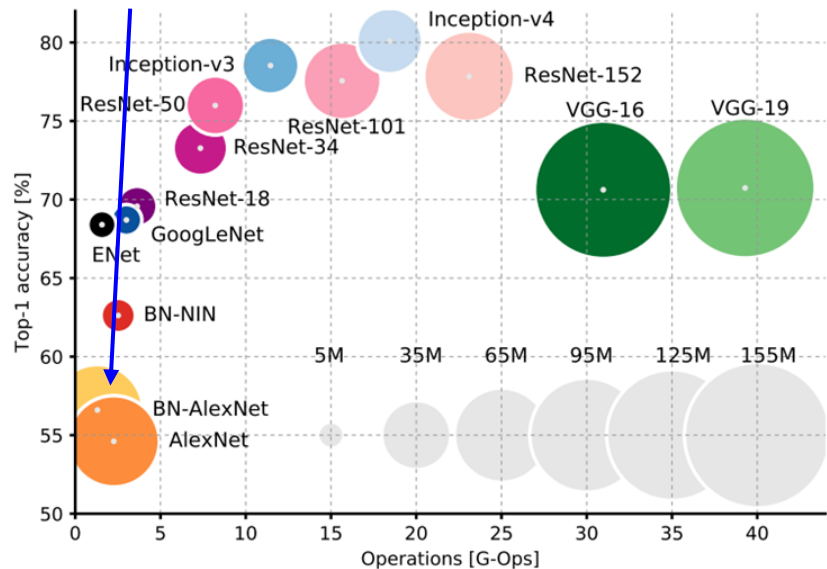
An Analysis of Deep Neural Network Models for Practical Applications, 2017.

Figures copyright Alfredo Canziani, Adam Paszke, Eugenio Culurciello, 2017. Reproduced with permission.

Comparing complexity...



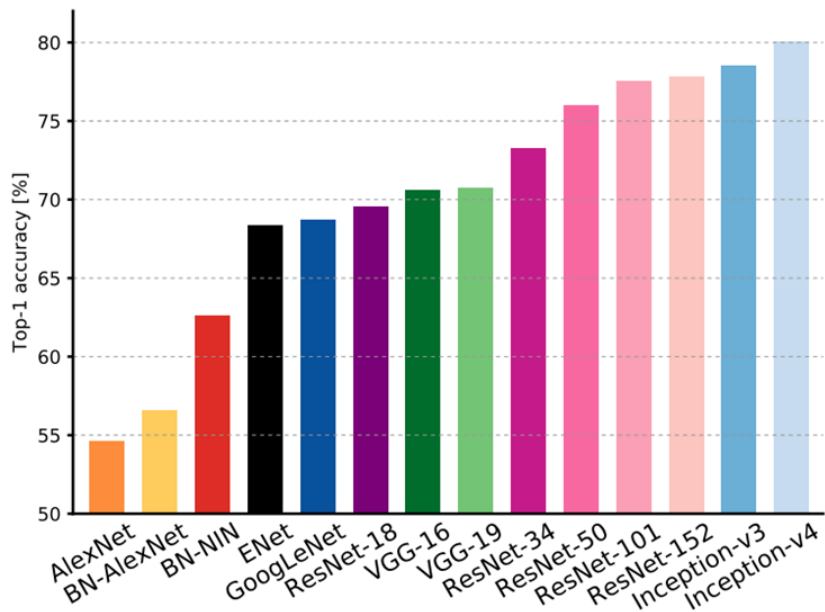
AlexNet:
Smaller compute, still memory heavy, lower accuracy



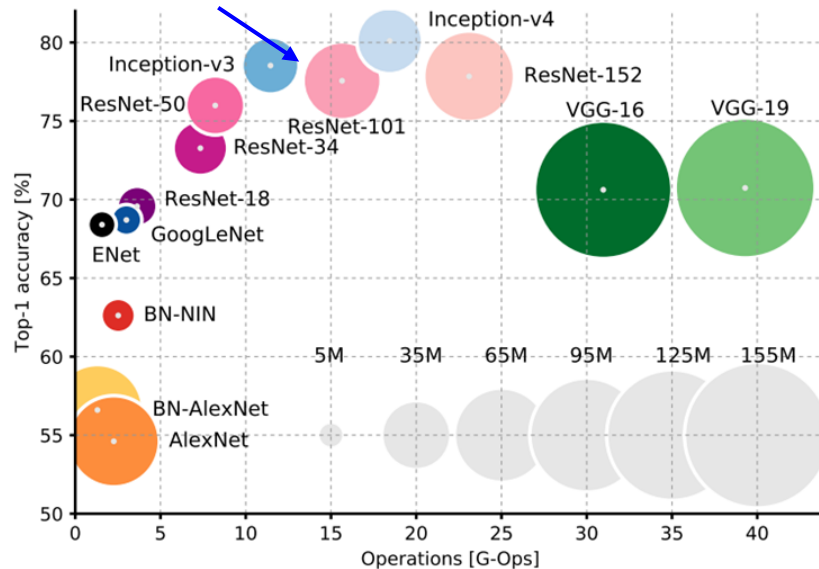
An Analysis of Deep Neural Network Models for Practical Applications, 2017.

Figures copyright Alfredo Canziani, Adam Paszke, Eugenio Culurciello, 2017. Reproduced with permission.

Comparing complexity...



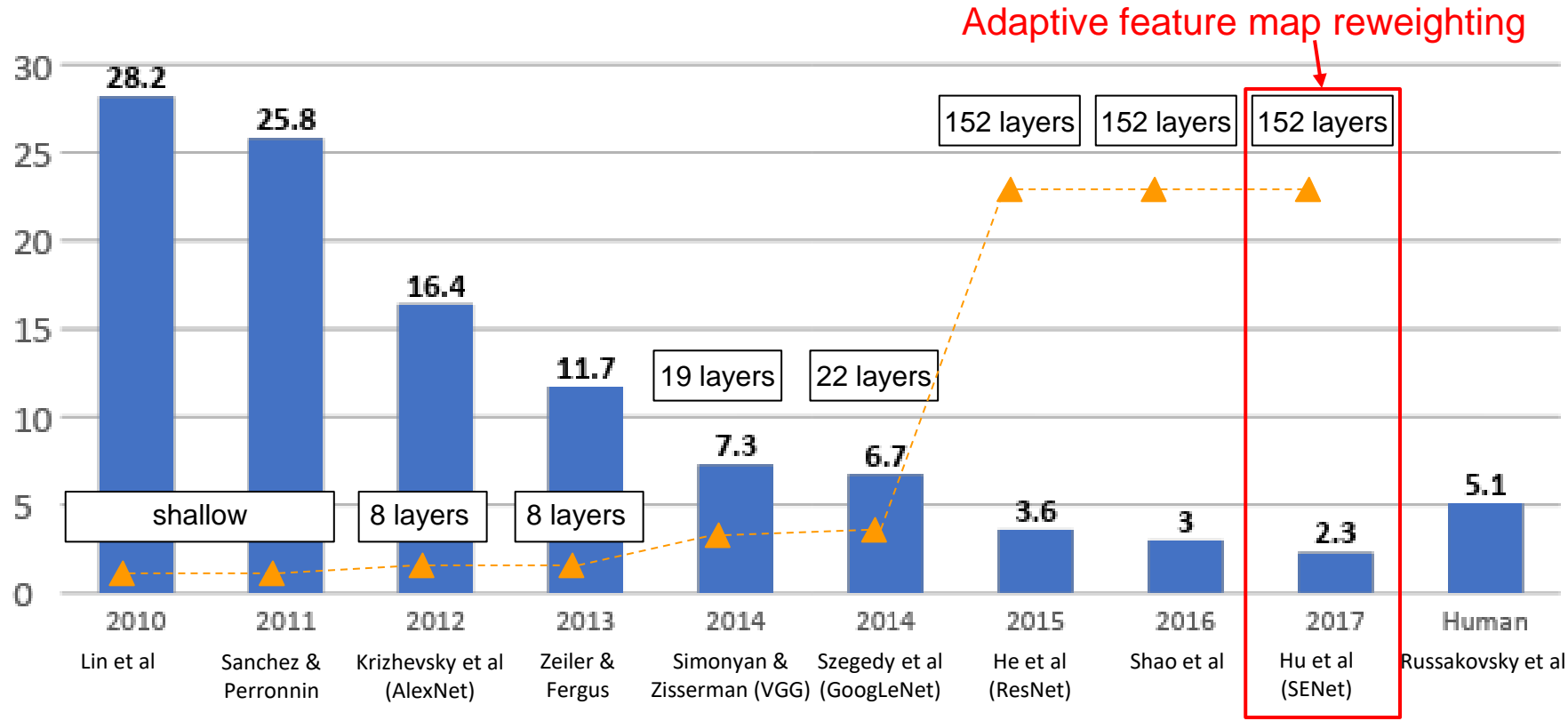
ResNet:
Moderate efficiency depending on model, highest accuracy



An Analysis of Deep Neural Network Models for Practical Applications, 2017.

Figures copyright Alfredo Canziani, Adam Paszke, Eugenio Culurciello, 2017. Reproduced with permission.

ImageNet Large Scale Visual Recognition Challenge (ILSVRC) winners

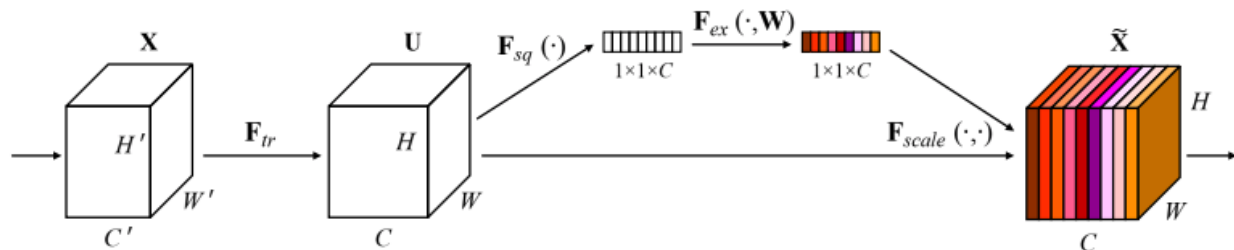
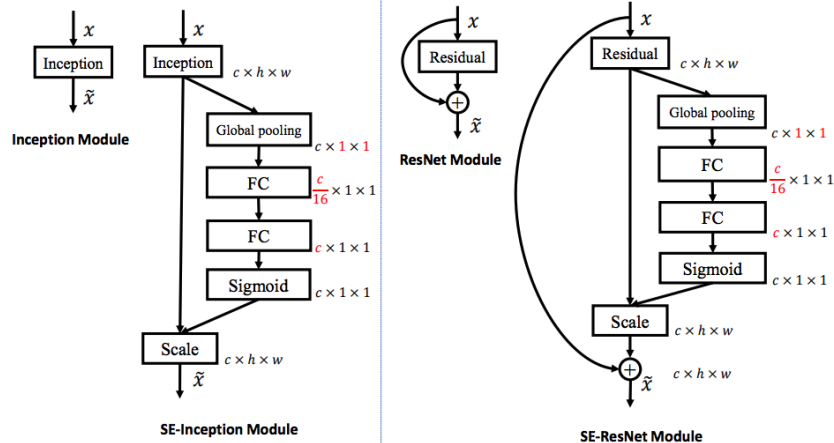


Improving ResNets...

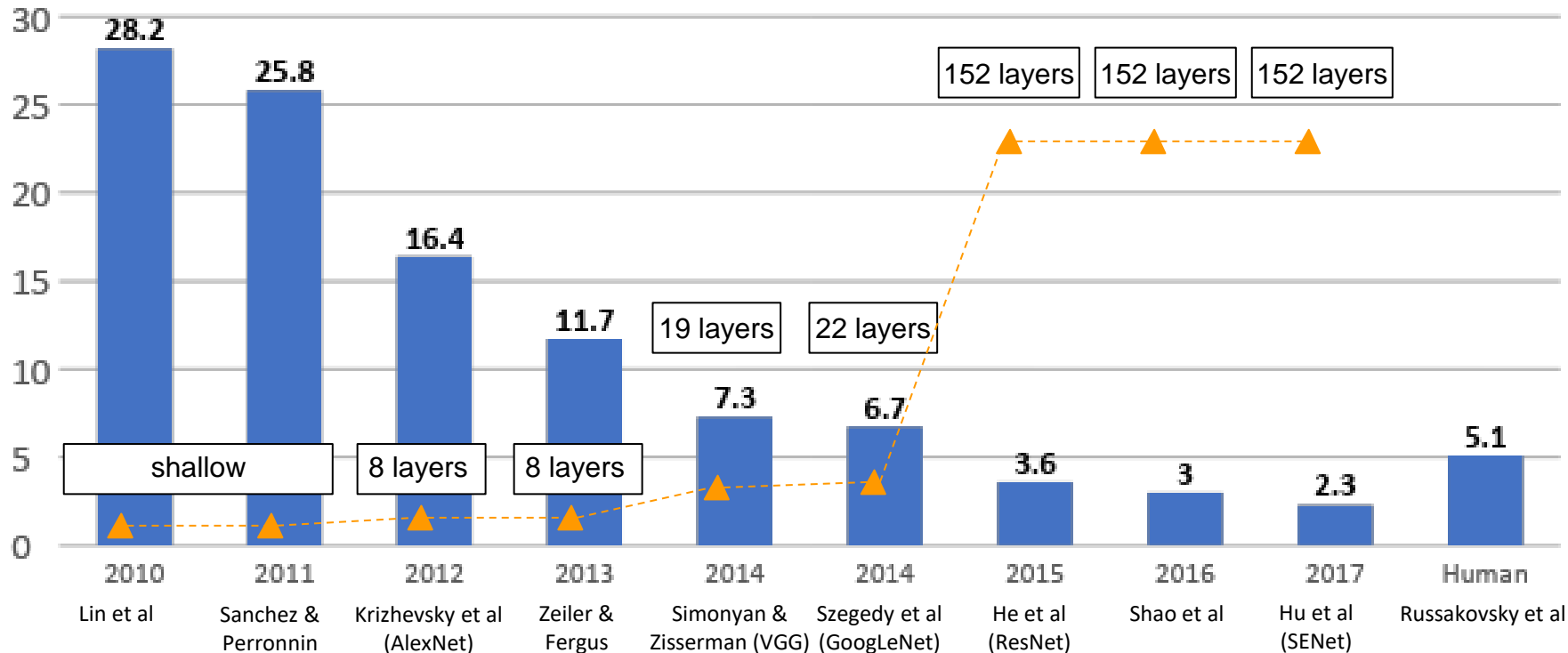
Squeeze-and-Excitation Networks (SENet)

[Hu et al. 2017]

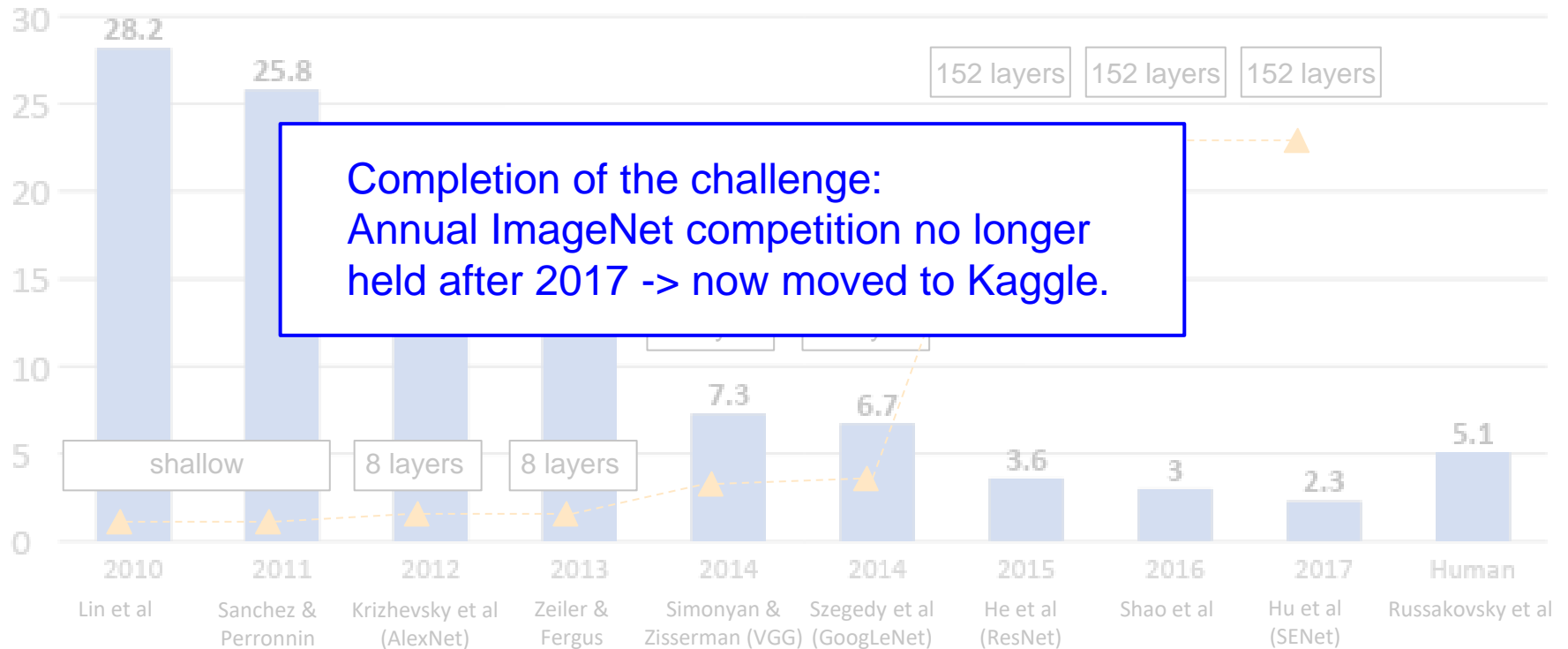
- Add a “feature recalibration” module that learns to adaptively reweight feature maps
- Global information (global avg. pooling layer) + 2 FC layers used to determine feature map weights
- ILSVRC'17 classification winner (using ResNeXt-152 as a base architecture)



ImageNet Large Scale Visual Recognition Challenge (ILSVRC) winners



ImageNet Large Scale Visual Recognition Challenge (ILSVRC) winners



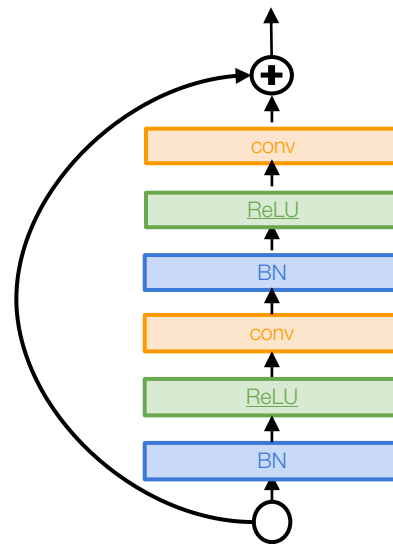
But research into CNN architectures is still flourishing

Improving ResNets...

Identity Mappings in Deep Residual Networks

[He et al. 2016]

- Improved ResNet block design from creators of ResNet
- Creates a more direct path for propagating information throughout network
- Gives better performance

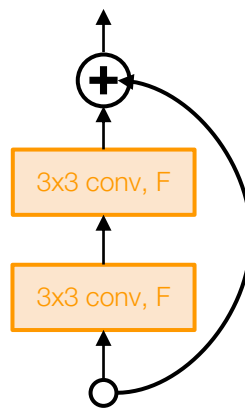


Improving ResNets...

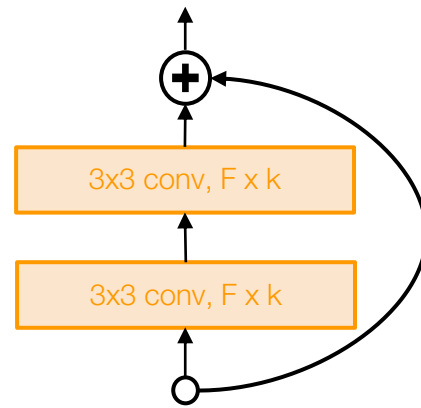
Wide Residual Networks

[Zagoruyko et al. 2016]

- Argues that residuals are the important factor, not depth
- Use wider residual blocks ($F \times k$ filters instead of F filters in each layer)
- 50-layer wide ResNet outperforms 152-layer original ResNet
- Increasing width instead of depth more computationally efficient (parallelizable)



Basic residual block



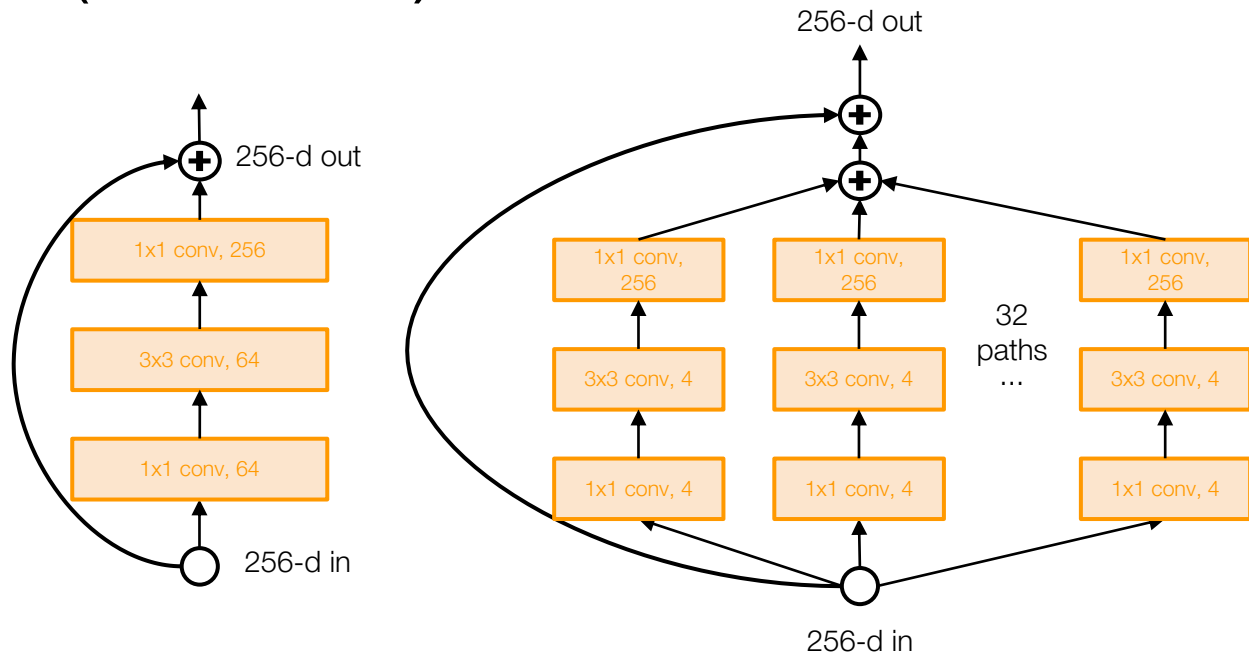
Wide residual block

Improving ResNets...

Aggregated Residual Transformations for Deep Neural Networks (ResNeXt)

[Xie et al. 2016]

- Also from creators of ResNet
- Increases width of residual block through multiple parallel pathways (“cardinality”)
- Parallel pathways similar in spirit to Inception module

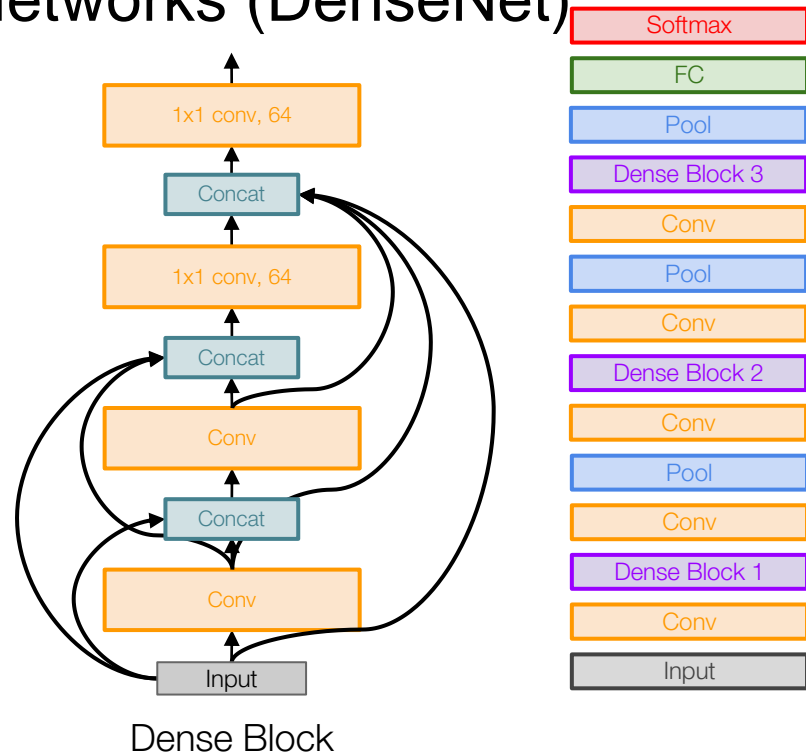


Other ideas...

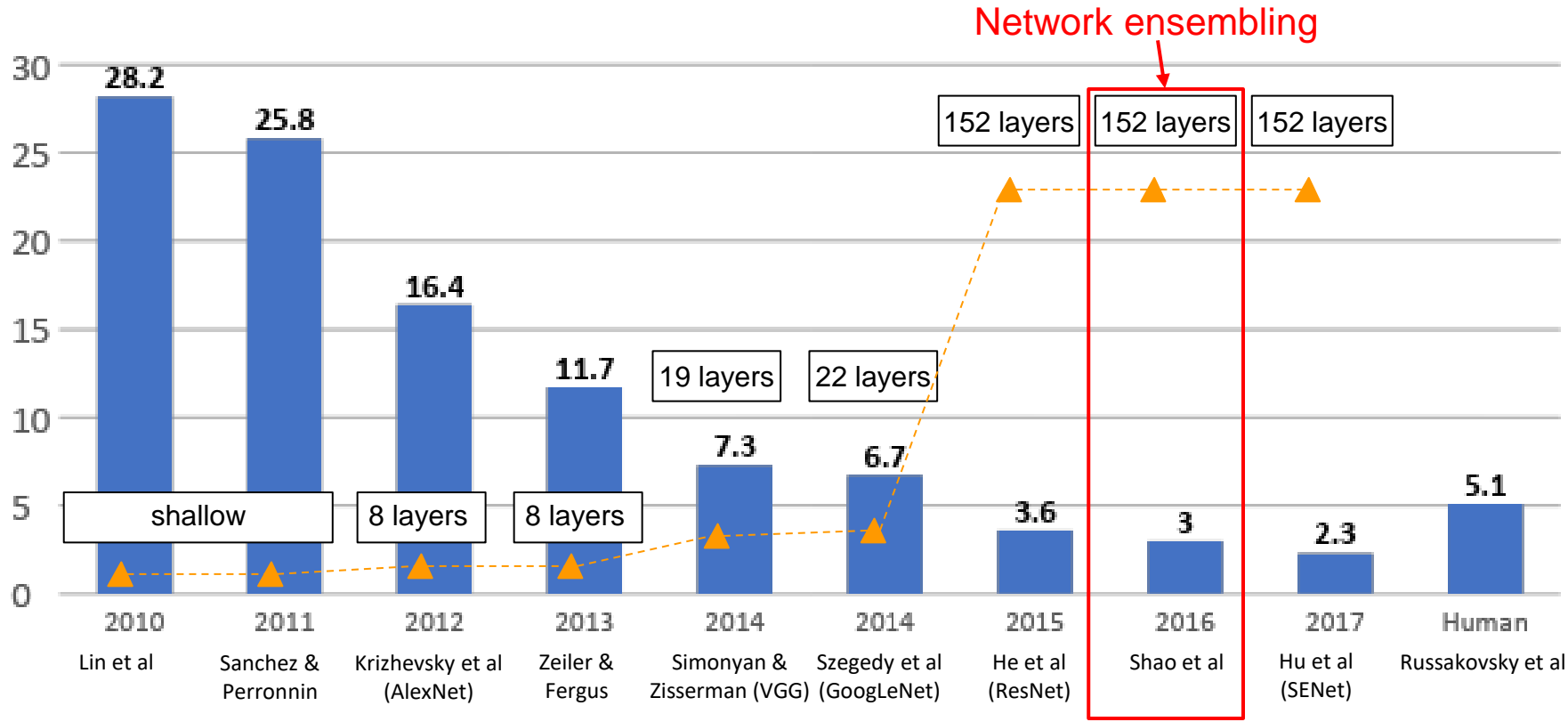
Densely Connected Convolutional Networks (DenseNet)

[Huang et al. 2017]

- Dense blocks where each layer is connected to every other layer in feedforward fashion
- Alleviates vanishing gradient, strengthens feature propagation, encourages feature reuse
- Showed that shallow 50-layer network can outperform deeper 152 layer ResNet



ImageNet Large Scale Visual Recognition Challenge (ILSVRC) winners



Improving ResNets...

“Good Practices for Deep Feature Fusion”

[Shao et al. 2016]

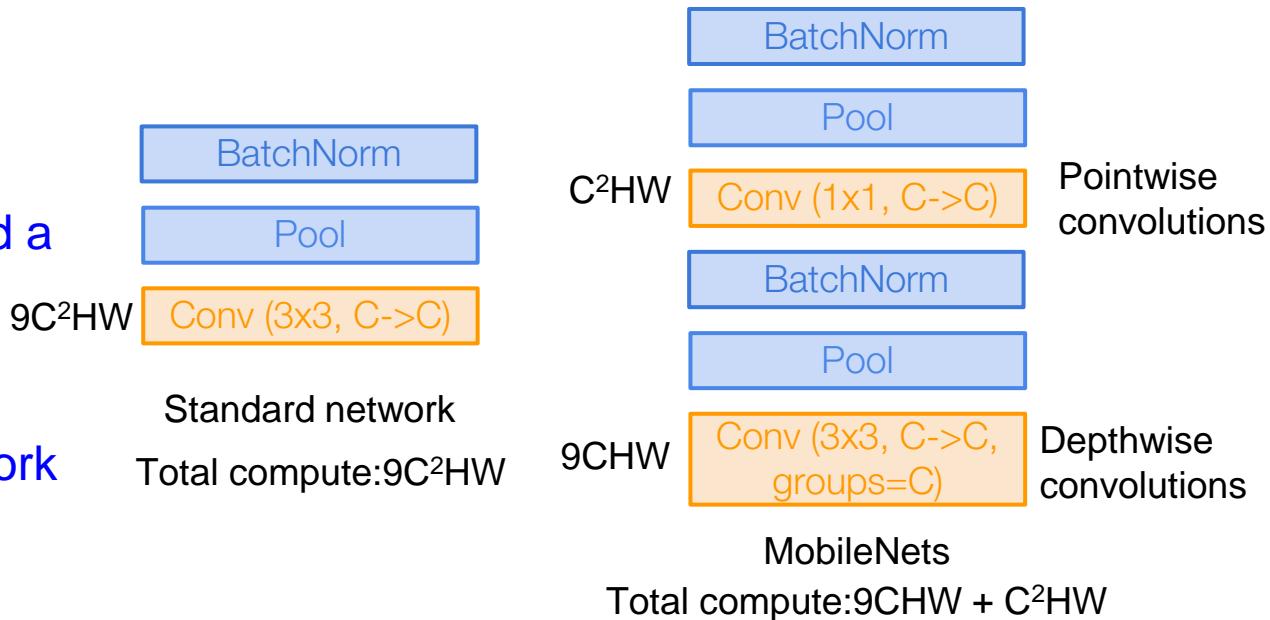
- Multi-scale ensembling of Inception, Inception-Resnet, Resnet, Wide Resnet models
- ILSVRC'16 classification winner

	Inception-v3	Inception-v4	Inception-Resnet-v2	Resnet-200	Wrn-68-3	Fusion (Val.)	Fusion (Test)
Err. (%)	4.20	4.01	3.52	4.26	4.65	2.92 (-0.6)	2.99

Efficient networks...

MobileNets: Efficient Convolutional Neural Networks for Mobile Applications [Howard et al. 2017]

- Depthwise separable convolutions replace standard convolutions by factorizing them into a depthwise convolution and a 1×1 convolution
- Much more efficient, with little loss in accuracy
- Follow-up MobileNetV2 work in 2018 (Sandler et al.)
- ShuffleNet: Zhang et al, CVPR 2018

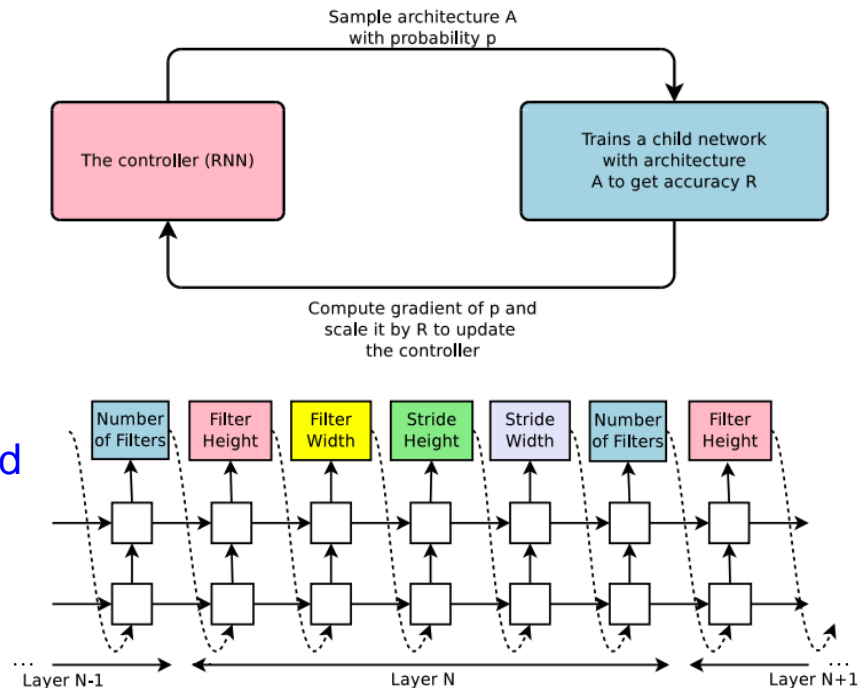


Learning to search for network architectures...

Neural Architecture Search with Reinforcement Learning (NAS)

[Zoph et al. 2016]

- “Controller” network that learns to design a good network architecture (output a string corresponding to network design)
- Iterate:
 - 1) Sample an architecture from search space
 - 2) Train the architecture to get a “reward” R corresponding to accuracy
 - 3) Compute gradient of sample probability, and scale by R to perform controller parameter update (i.e. increase likelihood of good architecture being sampled, decrease likelihood of bad architecture)

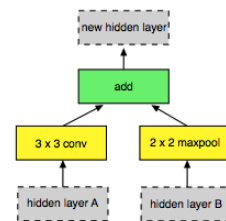
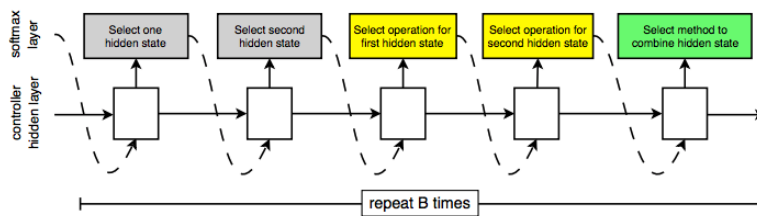
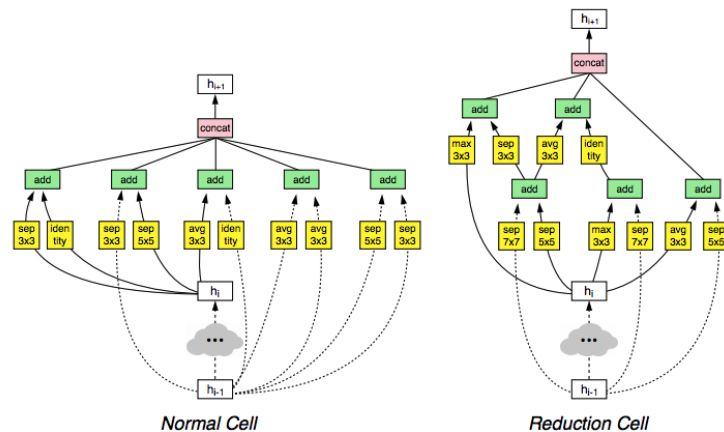


Learning to search for network architectures...

Learning Transferable Architectures for Scalable Image Recognition

[Zoph et al. 2017]

- Applying neural architecture search (NAS) to a large dataset like ImageNet is expensive
- Design a search space of building blocks (“cells”) that can be flexibly stacked
- NASNet: Use NAS to find best cell structure on smaller CIFAR-10 dataset, then transfer architecture to ImageNet
- Many follow-up works in this space e.g. AmoebaNet (Real et al. 2019) and ENAS (Pham, Guan et al. 2018)



But sometimes smart heuristic is better than NAS ...

EfficientNet: Smart Compound Scaling

[Tan and Le. 2019]

- Increase network capacity by scaling width, depth, and resolution, while balancing accuracy and efficiency.
- Search for optimal set of compound scaling factors given a compute budget (target memory & flops).
- Scale up using smart heuristic rules

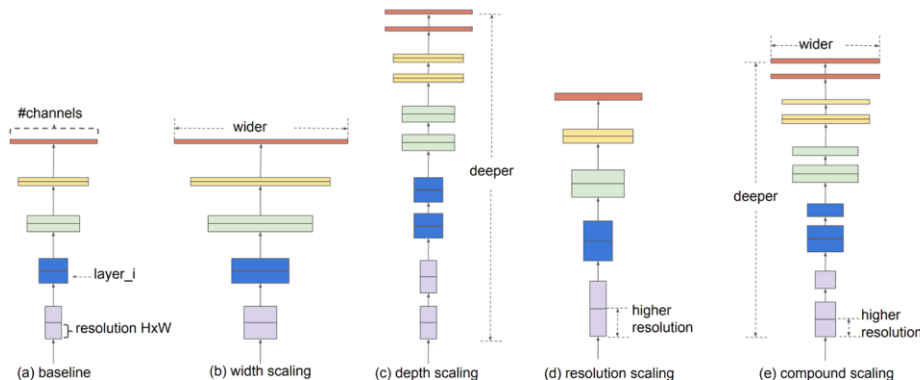
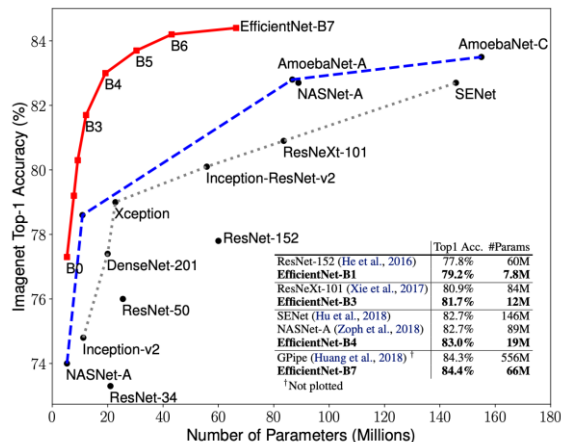
$$\text{depth: } d = \alpha^\phi$$

$$\text{width: } w = \beta^\phi$$

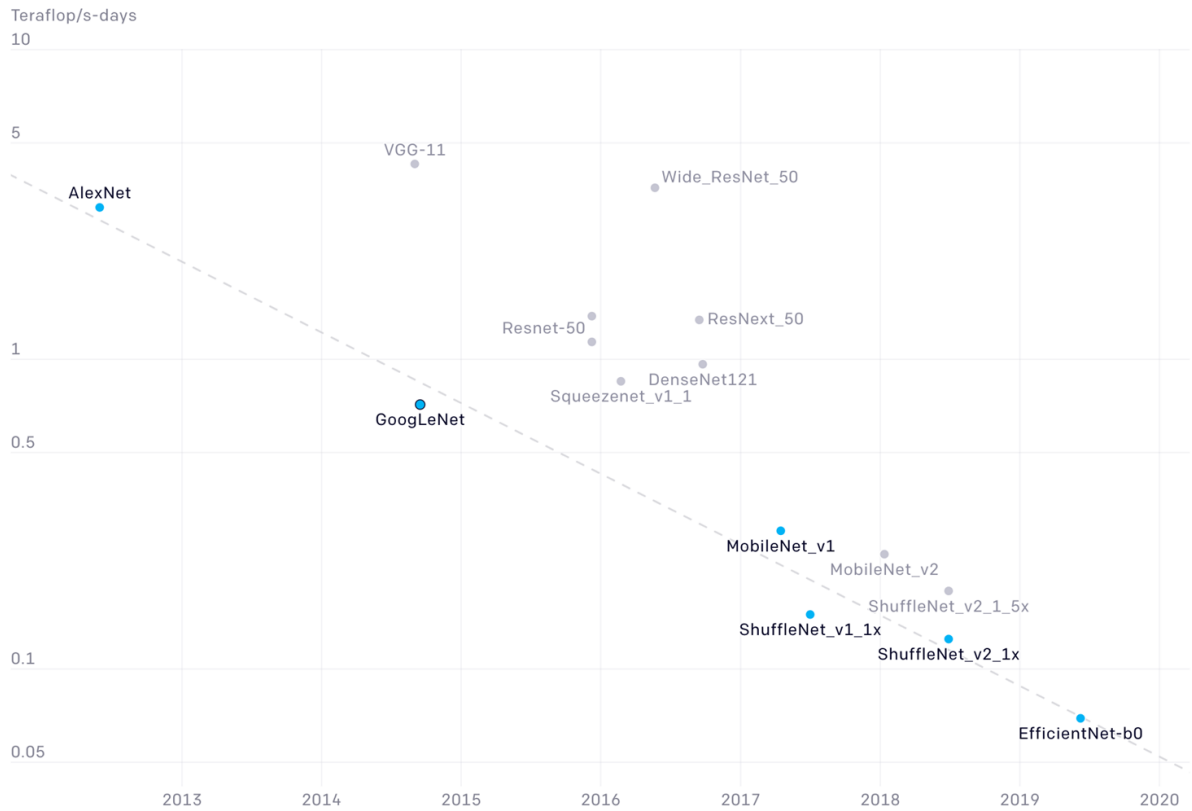
$$\text{resolution: } r = \gamma^\phi$$

$$\text{s.t. } \alpha \cdot \beta^2 \cdot \gamma^2 \approx 2$$

$$\alpha \geq 1, \beta \geq 1, \gamma \geq 1$$



Efficient networks...



<https://openai.com/blog/ai-and-efficiency/>